

AEG

AEG COMMERCIAL LUMINAIRES
RANGE 2018



Table of contents

DARK LIGHT DOWNLIGHT SERIES - FIXED	3
DARK LIGHT DOWNLIGHT SERIES - ADJUSTABLE	4
DARK LIGHT DOWNLIGHT SERIES - WALL WASHER	5
SURFACE MOUNTED DOWNLIGHT - ROUND	6
SURFACE MOUNTED DOWNLIGHT - SQUARE	7
KNIFE / KEYHOLE DOWNLIGHT SERIES	8
SHIFT LUX DOWNLIGHT SERIES - FIXED	9
SHIFT LUX DOWNLIGHT SERIES - ADJUSTABLE	10
SHIFT LUX DOWNLIGHT SERIES - WALL WASHER	11
RECESSED DOWNLIGHT R-Series	12
RECESSED DOWNLIGHT BASIC SERIES	13
RECESSED DOWNLIGHT SERIES	14
CARDAN-5 RECESSED DOWNLIGHT SERIES	15
CARDAN-M RECESSED DOWNLIGHT SERIES	16
CARDAN-L RECESSED DOWNLIGHT SERIES	17
CH- COUS DOWNLIGHT SERIES	18
TRACK LIGHT SERIES I	19
TRACK LIGHT SERIES A	20
CEILING LIGHT	21
PENDANT LIGHT	22
WALL MOUNTED LUMINAIRE - DOWN - ROUND	23
WALL MOUNTED LUMINAIRE - ADJUSTABLE - SQUARE	24







DARKLIGHT DOWNLIGHT SERIES • FIXED

DSF-075 - 7 W | DSF-100 - 13 W | DSF-125 - 19 W | DSF-A150 - 26 W | DSF-B150 - 34 W | DSF-C150 - 40 W

Architecture-grade recessed fixed ceiling lights providing high-class, low glare illumination for office spaces, retail environments, hotels and residential applications. Four different diameter sizes provide a full range of lumen output options to meet the wide diversity of user requirements.



RANGE OVERVIEW / BASIC SPECIFICATIONS

						
QUICK REF. Power Output Cupor Diameter Trim Diameter	DSF-075 7W / 750 lm 8.5 W Ø 57 x 45 mm	DSF-100 13W / 1340 lm Ø 70 mm Ø 71 x 70 mm	DSF-125 19W / 1970 lm Ø 85 W Ø 125 x 100 mm	DSF-A150 26W / 2600 lm Ø 110 mm Ø 150 x 145 mm	DSF-B150 34W / 3400 lm Ø 140 mm Ø 140 x 150 mm	DSF-C150 40W / 4000 lm Ø 150 mm Ø 150 x 150 mm

OPTIONS & ACCESSORIES



DARKLIGHT DOWNLIGHT SERIES - ADJUSTABLE

DSA-075 - 7 W | DSA-100 - 13 W | DSA-125 - 19 W | DSA-A150 - 26 W | DSA-B150 - 34 W | DSA-C150 - 40 W

Architectural grade recessed adjustable downlight providing high class, low glare illumination for office spaces, retail environments, hotels and residential applications. Four different diameter sizes provide a full range of lumen output options to meet the wide diversity of user requirements.



RANGE OVERVIEW / BASIC SPECIFICATIONS



QUICK REF.
 Power Output
 Diameter (mm)
 Beam Spread (mm)

DSA-075
 7W / 5.5lm
 Ø75mm
 Ø55 x 120mm

DSA-100
 13W / 10.0lm
 Ø100mm
 Ø75 x 120mm

DSA-125
 19W / 15.5lm
 Ø125mm
 Ø75 x 140mm

DSA-A150
 26W / 20.0lm
 Ø150mm
 Ø74 x 145mm

DSA-B150
 34W / 26.0lm
 Ø150mm
 Ø74 x 160mm

DSA-C150
 40W / 30.0lm
 Ø150mm
 Ø74 x 160mm

OPTIONS & ACCESSORIES



DARKLIGHT DOWNLIGHT SERIES - WALL WASHER






DSW-100 - 13 W | DSW-125 - 19 W | DSW-A150 - 26 W | DSW-B150 - 34 W | DSW-C150 - 40 W

Architects integrate wall washer downlights to create a new lighting or wall-diecast effect. The result is a high quality wall-washer, built to withstand busy bars and residential areas.

Three different diameters provide a full range of lumen output options. Reflector inserts available in five contemporary finishes.



RANGE OVERVIEW / BASIC SPECIFICATIONS

					
QUICK REFERENCE	DSW 100	DSW 125	DSW A150	DSW B150	DSW C150
Power Output	13 W / 875 lm	19 W / 1400 lm	26 W / 1950 lm	34 W / 2500 lm	40 W / 3000 lm
Control Panel	Ø 100 mm	Ø 125 mm	Ø 150 mm	Ø 177 mm	Ø 197 mm
Ø reflector	Ø 115 x 12 mm	Ø 135 x 150 mm	Ø 145 x 150 mm	Ø 165 x 150 mm	Ø 175 x 150 mm

OPTIONS & ACCESSORIES



SURFACE MOUNTED DOWNLIGHTS - ROUND

SMR-100 · 13 W | SMR-125 · 19 W | SMR-A150 · 26 W | SMR-B150 · 34 W

The round surface mounted downlights with a timeless design, providing excellent light for spot illumination.

Downlight design is glare free, helping to enhance visual performance and comfort. Secondary reflectors available in five finishes, to seamlessly integrate with the interior design.



RANGE OVERVIEW / BASIC SPECIFICATIONS



QUICK REFERENCE

- Eye: 10 mm
- Eye Cut Diameter
- Mounting

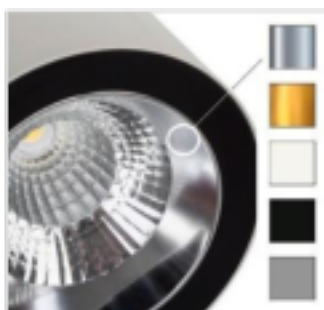
SMR-100
13 W · 1225 lm
Ø 100 mm
110 mm

SMR-125
19 W · 1800 lm
Ø 125 mm
135 mm

SMR-A150
26 W · 2535 lm
Ø 150 mm
160 mm

SMR-B150
34 W · 3575 lm
Ø 150 mm
160 mm

OPTIONS & ACCESSORIES



SURFACE MOUNTED DOWNLIGHTS - SQUARE

SMS-100 - 13 W | SMS-125 - 19 W | SMS-A150 - 26 W | SMS-B150 - 34 W

Easy-to-install surface-mounted downlights with a minimalist design providing excellent light for specific illumination.

Darklight design for glare-free lighting, enhancing visual performance and comfort. Secondary reflectors available in five finishes to seamlessly integrate with the interior design.



RANGE OVERVIEW / BASIC SPECIFICATIONS



QUICK REFERENCE

- Beam Diameter
- Mounting Hole
- Mounting Height

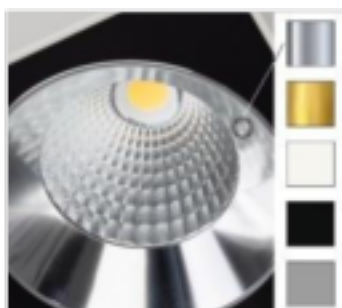
SMS-100
13 W - 1325 lm
100 x 100 mm
110 mm

SMS-125
19 W - 1900 lm
125 x 125 mm
125 mm

SMS-A150
26 W - 2625 lm
150 x 150 mm
160 mm

SMS-B150
34 W - 3575 lm
150 x 150 mm
160 mm

OPTIONS & ACCESSORIES



PINHOLE / KEYHOLE DOWNLIGHT SERIES

PRF-A085 - 7 W | PRF-B085 - 13 W | KRA-A085 - 7 W | KRA-B085 - 13 W

Complementary accent lighting, setting the right mood and creating the appropriate ambience in residential and hospitality environments.

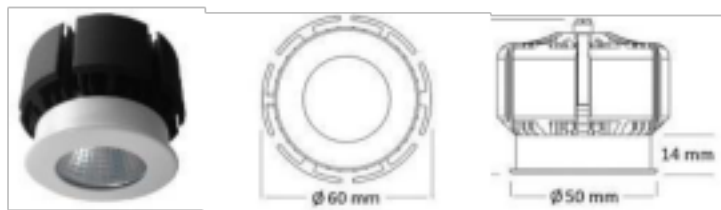
Highly flexible lighting solution with a replaceable $\varnothing 50$ mm COB-based LED-module (also separately available). The fixed pinhole or adjustable spotlight downlight offering a variety of beam angles, CCT and CR options, as well as dimming options.



RANGE OVERVIEW / BASIC SPECIFICATIONS

				
QUICK REFERENCE	PRF-A085	PRF-B085	KRA-A085	KRA-B085
Power Output	7W / 0.1A	13W / 0.1A	7W / 0.1A	13W / 0.1A
Beam / Cut-off	15° / 40°	15° / 40°	15° / 40°	15° / 40°
Width x Height	$\varnothing 65 \times 64$ mm	$\varnothing 65 \times 64$ mm	$\varnothing 65 \times 60$ mm	$\varnothing 65 \times 60$ mm

OPTIONS & ACCESSORIES



SHIFT-LUX DOWNLIGHT SERIES · FIXED

SRF-AR90 · 7 W | SRF-BR90 · 13 W | SSF-AR90 · 7 W | SSF-BR90 · 13 W

The product can be fixed and ceiling lights with a back light and glare design. New design with a 40° cut-off, making the ceiling more visible and putting the lighting even more deeply into the light plan.

The replaceable 2800 nm LED module can be fixed with a wide variety of COB-chips ranging from cool to extra warm white, from regular color rendition up to CRI 97 versions, and emit light in the beam angle of your choice. Available with color temperature up to 120° beam angle or 180°.



RANGE OVERVIEW / BASIC SPECIFICATIONS



QUICK REFERENCE

Power (W) / Volt (V)
Color (Cut-off)
Trim size / Width (Height)

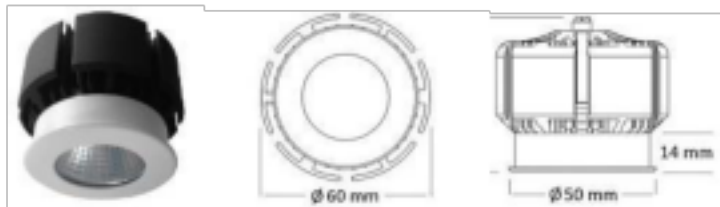
SRF-AR90
7 W / 300 lm
0° - 90° / 11
Ø 100 x 90 mm

SRF-BR90
13 W / 575 lm
0° - 90° / 11
Ø 100 x 90 mm

SSF-AR90
7 W / 325 lm
90° - 90° / 11
100 x 104 mm

SSF-BR90
13 W / 575 lm
90° - 90° / 11
100 x 104 mm

OPTIONS & ACCESSORIES



SHIFT-LUX DOWNLIGHT SERIES · ADJUSTABLE

SRA-AR90 · 7 W | SRA-BR90 · 13 W | SSA-AR90 · 7 W | SSA-BR90 · 13 W

The product can be used as a downlight or with a dark light in an in-gate design. New, a custom light, rotating the reflector, allows you to adjust the lighting even as a spotlight or light in a point.

The replaceable 2.50 mm LED module can be fixed with a wide variety of COB-chips ranging from cool to extra warm white, from regular color rendition up to CRI 97 versions, and emit light in the beam angle of your choice. Available with both a switchable and on/DA - dimmable driver.

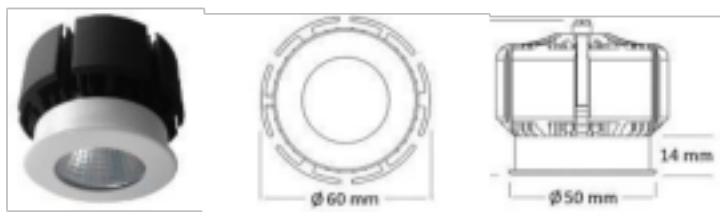


RANGE OVERVIEW / BASIC SPECIFICATIONS



QUICK REFERENCE	SRA-AR90	SRA-BR90	SSA-AR90	SSA-BR90
Rated Output	7 W / 500 lm	13 W / 875 lm	7 W / 500 lm	13 W / 875 lm
Ceiling Cut-Out	60 mm	60 mm	90 x 90 mm	90 x 90 mm
Dimensions (with H-hat)	100 x 91 mm	100 x 91 mm	100 x 91 mm	100 x 91 mm

OPTIONS & ACCESSORIES



SHIFT-LUX DOWNLIGHT SERIES · WALL WASHERS

SRW-AR90 - 7 W | SRW-BR90 - 13 W | SSW-AR90 - 7 W | SSW-BR90 - 13 W

High-end compact wallwasher downlights with dark light signature design. The sleek design is being praised for its minimalist aesthetic and putting the finishing touch to a sophisticated lighting plan.

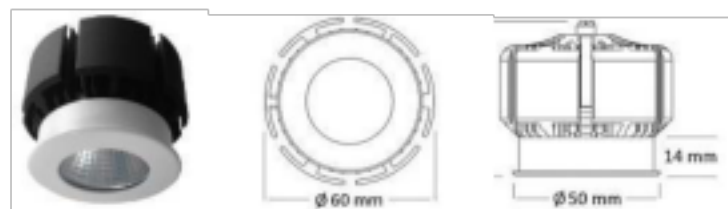
The replaceable $\varnothing 50$ mm LED module can be fitted with a wide variety of CCTs, ranging from cool to extra warm white, from regular color rendition up to CRI 94 versions. Available with either switchable or DALI dimmable drivers.



RANGE OVERVIEW / BASIC SPECIFICATIONS

				
QUICK REFERENCE	SRW-AR90	SRW-BR90	SSW-AR90	SSW-BR90
Power Output	7 W - 300 lm	13 W - 550 lm	7 W - 325 lm	13 W - 550 lm
Ceiling Cut-Out	$\varnothing 50$ mm	$\varnothing 50$ mm	50×50 mm	50×50 mm
Diameter (width x height)	$\varnothing 100 \times 95$ mm	$\varnothing 100 \times 95$ mm	100×95 mm	100×95 mm

OPTIONS & ACCESSORIES



RECESSED DOWNLIGHT RF-SERIES

RFR-068 - 7 W

The RFR-068 downlight is a quality LED-light solution having 68 LED-chips, a power factor of 0.94, a high colour rendering index of 90 and a beam spread of 25° (at 25 mm).

Aside from these characteristics, the RFR-068 is also available in different



RANGE OVERVIEW / BASIC SPECIFICATIONS

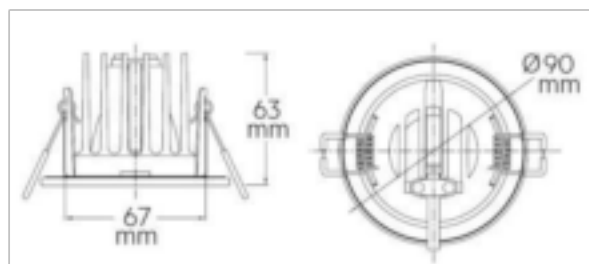
QUICK REFERENCE

7-watt Downlight
 Ceiling Colour: White
 29 mm Installation Height

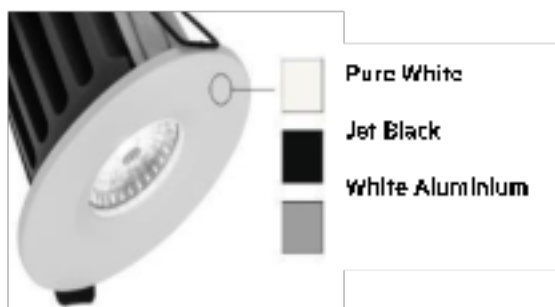


RFR-068
7 W - 700 lm
Ø 68 mm
Ø 90 x 63 mm

LUMINAIRE DIMENSIONS



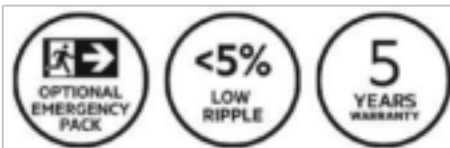
OPTIONS & ACCESSORIES



RECESSED DOWNLIGHT BASIC-SERIES

RDB-100 - 11 W | RDB-130 - 16 W | RDB-165 - 24 W | RDB-200 - 32 W

The quality metal reflector provides lighting solution with symmetrically placed, unidirectional SMD LED chips for evenly homogeneous light.



RANGE OVERVIEW / BASIC SPECIFICATIONS

QUICK REFERENCE

Power Output
Cooling Output
Width x Height



RDB 100
11 W - 0.36 lm
Ø 95 - 0.5 mm
Ø 115 x 50 mm



RDB 130
16 W - 0.50 lm
Ø 120 - 0.60 mm
Ø 130 x 54 mm



RDB 165
24 W - 0.60 lm
Ø 150 - 0.80 mm
Ø 170 x 65 mm



RDB-200
32 W - 0.80 lm
Ø 195 - 2.5 mm
Ø 230 x 69 mm

RECESSED DOWNLIGHT SERIES I

RD1-100 - 10 W | RD1-130 - 15 W | RD1-165 - 21 W | RD1-200 - 28 W

Designed for maximum efficiency, the RD1 series is a low-voltage, recessed, cylindrical, downlight with a modern design. From high-quality luminaires, of high light class components and state-of-the-art lighting technology.

LED semiconductor SMD-chips with an excellent performance and lumen maintenance over its service life.



RANGE OVERVIEW / BASIC SPECIFICATIONS



QUICK REFERENCE

Typical Output

Cutting Out-Out

Mounting Height

RD1-100

9 W - 850 lm

Ø 95 x 35 mm

Ø 5 x 34 mm

RD1-130

15 W - 1200 lm

Ø 120 x 40 mm

Ø 30 x 48 mm

RD1-165

21 W - 830 lm

Ø 160 x 100 mm

Ø 60 x 74 mm

RD1-200

28 W - 3400 lm

Ø 165 x 110 mm

Ø 220 x 84 mm

CARDAN-S RECESSED DOWNLIGHT SERIES

CAS-90 I - 13 W | CAS-90 II - 2 x 13 W | CAS-90 III - 3 x 13 W

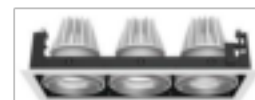
Lowest failure rate, highest efficiency and maximum life expectancy are a defining feature. From manufacturing to availability, fast service components and state of the art lighting technology.

Optimal directional fixture design for optimum flexibility of use.

Wide variety of beam angles, color temperatures, high CRI and special application chips available for being equal to the best in visual merchandising.



RANGE OVERVIEW / BASIC SPECIFICATIONS



QUICK REFERENCE

Types: Quick
Cell to Cell-Out
Width x length x height

CAS-90 I

13 W • 275 lm
90 x 90 mm
100 x 100 x 53 mm

CAS-90 II

2 x 13 W • 2 x 275 lm
90 x 152 mm
100 x 170 x 117 mm

CAS-90 III

3 x 13 W • 3 x 275 lm
90 x 274 mm
100 x 344 x 117 mm

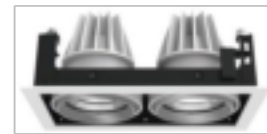
CARDAN-M RECESSED DOWNLIGHT SERIES

CAM-125 I - 19 W | CAM-125 II - 2 x 19 W | CAM-125 III - 3 x 19 W

Cost-effective, energy-efficient and maintenance-free recessed lighting solution. Premium quality luminaires utilizing first-class components and state-of-the-art lighting technology.

One of our preferred fixture designs for all trade professionals.

Wide variety of beam angles, color temperatures, High CRI and special application chips available for bringing out the best in visual merchandising.



RANGE OVERVIEW / BASIC SPECIFICATIONS



QUICK REFERENCE

Fixture - Output
 Ceiling Cut-Out
 Mount - Length - Height

CAM-125 I
 19 W | 1930 lm
 125 x 125 mm
 110 x 110 x H 13 mm

CAM-125 II
 2 x 19 W | 2 x 1930 lm
 125 x 225 mm
 110 x 212 x H 13 mm

CAM-125 III
 3 x 19 W | 3 x 1930 lm
 125 x 325 mm
 110 x 305 x H 13 mm

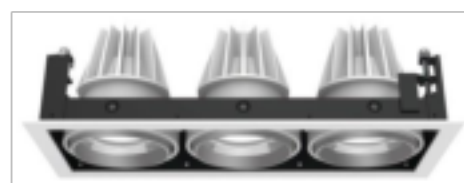
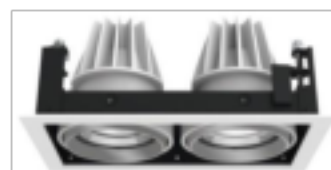
CARDAN-L RECESSED DOWNLIGHT SERIES

CAL-A160 I - 26 W | CAL-B160 I - 34 W | CAL-A160 II - 2 x 26 W | CAL-B160 II - 2 x 34 W | CAL-A160 III - 3 x 26 W | CAL-B160 III - 3 x 34 W

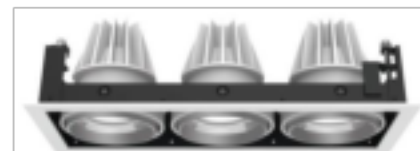
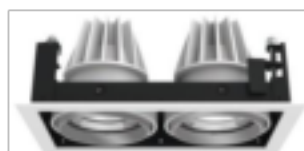
Cost-effective, energy-efficient and maintenance-free retail lighting solution. Premium quality, minimalist, long-life recessed downlight with sleek, low-profile design.

Optimal performance design for ultimate flexibility in use.

Wide variety of beam angles, color temperatures, high-CRI and special application options available for bringing out the best in visual merchandising.



RANGE OVERVIEW / BASIC SPECIFICATIONS



QUICK REFERENCE

Typical Output
 Cell In/Cell Out
 Width x Length x Height

CAL-A/B160 I

26/34 W | 2700/3450 lm
 160 x 160 mm
 175 x 175 x H 133 mm

CAL-A/B160 II

2 x 26/34 W | 2700/3450 lm
 160 x 300 mm
 175 x 351 x H 133 mm

CAL-A/B160 III

3 x 26/34 W | 2700/3450 lm
 160 x 400 mm
 175 x 455 x H 133 mm

OPTI-FOCUS DOWNLIGHT SERIES

OPF-075 - 7 W | OPF-A100 - 13 W | OPF-B100 - 19 W | OPF-A125 - 26 W | OPF-B125 - 34 W

Opti-Focus downlights provide quality illumination for retail spaces, bars and other hospitality environments as well as residential use. The product comes in a wide range of color packages, beam angles, CCT, CRI options and dimming functionalities.

The heat sink has a unique design, which provides maximum heat dissipation despite of reducing its size to a minimum.

The Opti-Focus downlights provide quality illumination for retail spaces, bars and other hospitality environments as well as residential use. The product comes in a wide range of color packages, beam angles, CCT, CRI options and dimming functionalities.



RANGE OVERVIEW / BASIC SPECIFICATIONS

					
QUICK REFERENCE	OPF-075	OPF-A100	OPF-B100	OPF-A125	OPF-B125
Power Output	7 W - 725 lm	13 W - 1275 lm	19 W - 1800 lm	26 W - 2715 lm	34 W - 3525 lm
Beam Angle	Ø 75 mm	Ø 100 mm	Ø 125 mm	Ø 125 mm	Ø 125 mm
Width x Height	Ø 80 x 65 mm	Ø 120 x 81 mm	Ø 110 x 56 mm	Ø 137 x 95 mm	Ø 137 x 108 mm

TRACK LIGHT SERIES 1

TL1-A065 - 13 W | TL1-B065 - 19 W | TL1-A095 - 26 W | TL1-B095 - 34 W | TL1-106 - 40 W

Performance based, energy efficient and maintenance free lighting solution offering great flexibility. Available in a range of sizes for vignettes, in applications where subtle, seamless integration and a perfect overall picture with the spotlighting. Decorative front element for personalization or a simple, elegant, minimalist design for corporate style.

Cut-off COB technology providing excellent performance and optimum lumen maintenance over the entire service life. High CRI options as well as application optimized COB modules available. Variety of aluminum optical reflectors ranging from 15° spot, 34° medium to 36° or 60° wall washers with a range of accessories including the front element.

The luminaire is available in three phase and single phase self dimmable version or in DALI compatible configuration fitted with a single or 3 phase DALI adapter. The luminaire is available with a standard 5 phase dimmer or in a single phase DALI configuration.



RANGE OVERVIEW / BASIC SPECIFICATIONS

	TL1 A065	TL1 B065	TL1 A095	TL1 B095	TL1-106
Power (W)	13	19	26	34	40
Beam Diameter (mm)	1125	1025	1475	1500	1840
Beam Diameter (mm)	365	265	365	265	365

QUICK REFERENCE

Tube: Cut-off
 Head Diameter:

OPTIONS & ACCESSORIES



TRACK LIGHT SERIES 4

TL4-A140 - 13 W | TL4-B140 - 19 W

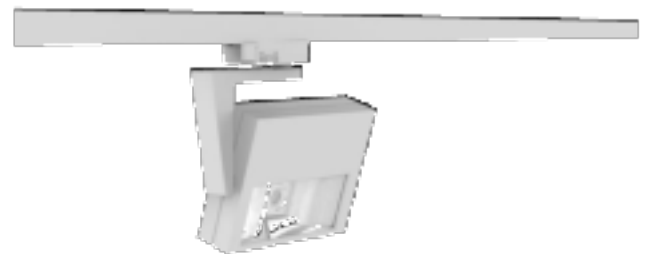
Wall washers provide a classic and modern lighting solution for offices and homes by increasing the amount of precision lighting applications as well.

Wall washing makes an area look more spacious while it adds interest by highlighting the texture of a wall, or brightening up colors of a wall covering or design element.

The TL4 luminaire adds another dimension to wall washing flexibility. The 6-axis universal track adapter enables installation at any desired location of a track lighting system. Available in two versions: spot, flood and color rendering options.



RANGE OVERVIEW / BASIC SPECIFICATIONS



QUICK REFERENCE

Power Output

Dimensions

TL4-A140

13 W | 1475 lm

140 x 140 x 62 mm

TL4-B140

19 W | 1900 lm

140 x 140 x 62 mm

CEILING LIGHT

CLR-300 - 15 W

Useable and widely applicable in farm buildings, mainly with animal and people. The product is designed for use in both outdoor environment and has an IP 65 waterproof and IK 08 impact resistant polycarbonate housing. This ensures durability and fast operation in harsh conditions.

Optionally available with a radar-based motion sensor ensuring intelligent automatic control of stable illumination range, daylight sensor, fully adjustable beam angle, DALI dimming, constant luminous versions with emergency conversion, if combined with the following options.



RANGE OVERVIEW / BASIC SPECIFICATIONS



QUICK REFERENCE

Fixed Output

3-wireless

CLR-300

15 W / 450 lm

Ø 300 x 186 mm

PENDANT LUMINAIRES

PLR-065 - 8 W

Our minimalist design in a modern, sophisticated design. The finishing touches are an engraved lighting effect, a deep glow filament, the design of a dark light design. Exceedingly rich color palette in a variety of finishes.

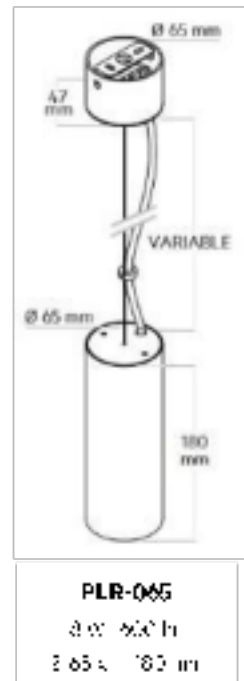
Easy to install lighting fixture thanks to a luminaire integrated cover. The product comes in a myriad of beam angles, various light colors and color rendering options.



RANGE OVERVIEW / BASIC SPECIFICATIONS

QUICK REFERENCE

Fixed / Gullu
 2' Installation



OPTIONS & ACCESSORIES



WALL MOUNTED LUMINAIRE - TWIN - ROUND

WTR-065 - 2 x 6 W

Two-way wall-mounted luminaire in a clean architectural form, creating unique and eye-catching up and down wall-washing light effects. The product is perfectly suited for modern and minimalist interiors. Underlines the contours of a space.

Deep recessed light sources ensure glare-free visual comfort. The separate, adjustable light colors are made of pure quartz luminaire tube in a variety of high-end finishes.

Great flexibility is offered to the lighting designer in terms of optics, ranging from spot, narrow and medium beam to wide flood as well as light colors and color-rendering options. Flexibility is given to the manufacturer by specifying with different beam angles and light colors up and down creating dual-functionality of simple operation, which can be easily implemented.

The luminaire's integrated power supply makes the product widely applicable and convenient to install.



RANGE OVERVIEW / BASIC SPECIFICATIONS

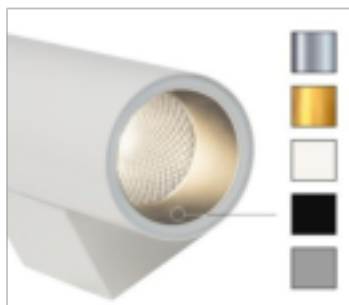
QUICK REFERENCE

Power Output
 Length x Depth x Height

WTR 065
 2 x 6 W / 11 x 7 x 16
 21 x 475 x 220 mm



OPTIONS & ACCESSORIES



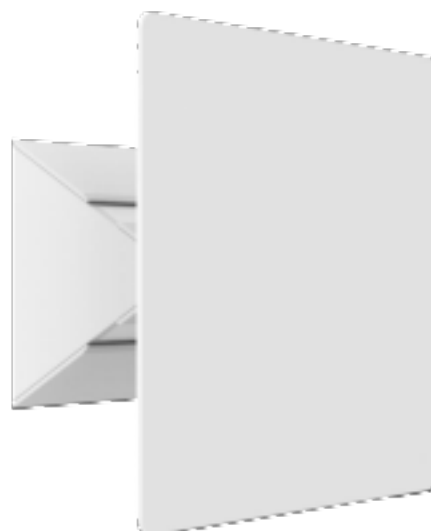
WALL MOUNTED LUMINAIRE - SQUARE - ADJUSTABLE

WSA-14D - 2x3 W

A sleek luminaire that creates beautiful lighting which brings the room to life in a unique way. Together, they transform the room into seamless combination of function, form and style.

The luminaire has a high end appearance and a quality construction with an adjustable front. Adjusting the front element creates a different indirect lighting effect on the wall or surface where the product is mounted to.

Available in black and white design with a sleek and modern product.



RANGE OVERVIEW / BASIC SPECIFICATIONS

QUICK REFERENCE

Front Element
x 2 x 3 W

WSA-14D

2 x 3 W | 2 x 40 lm
140 x 140 x 60 mm



AEG

© 2014 GE Lighting / Markenvarniet AEG

Uniflorastrasse 1
27717 Glinde (Lüneburg)
Germany

Phone: +49 4763 39-0
E-Mail: info@eg-ledlighting.com
Web: www.aeg-ledlighting.com

AEG is a registered trademark used under license of AB Electrolux (publ).