

2020COLLECTION

GRIVEND 

GRIVEN  





GRIVEN has quickly established a reputation as 'Italian Manufacturer of Choice' since 1990 through its superb craftsmanship and inexhaustible passion. Moving its first steps in the thriving entertainment lighting industry, GRIVEN engineered a comprehensive collection of state-of-the-art light fittings distributing them the world over through a selected network of lighting specialists.

In its quest to keep ahead of a constantly expanding industry scenario, in 2001 GRIVEN embraced the LED technology, steering decisively towards the architectural lighting market where it soon became one of the most dynamic and successful manufacturers the world over. Since then GRIVEN has further strengthened its product portfolio as well as its international presence with its innovative dynamic LED colour changing and white light solutions. Nowadays we deliver custom solutions for any special lighting design need and our continued cooperation with worldwide renowned lighting designers is a bountiful source of inspiration.

The improved combination of sustainability and performance has revealed functional and groundbreaking elements that represent the foundation of this latest collection, too. GRIVEN undertakes the next challenges calling for the design of an advanced though sustainable range of lighting equipment that undoubtedly is also a crucial medium for wellbeing, user comfort and an even more aesthetically pleasing environment without compromising future generations.





2020 marks 30 years from the foundation and is the starting point for new exciting paths towards an evolution primed to reach new frontiers. This begins with the renewal of our image choosing a more contemporary take to assert our identity. We regard this transformation phase as a great opportunity to reaffirm our company's identity and values.

Based on a stylish, neat font combined with essential features, the new logo delivers our philosophy through a circle and a square crossing to create a soulful image.

The SQUARE symbolises our rational self and it epitomises our technical side, our engineering capacity and quality commitment. This attitude allows us to be always at the forefront in the development of highly performing, reliable and technically advanced luminaires.

The CIRCLE embodies our irrational self, our creativity and inventiveness, vision and intuition. It translates into our quest for harmonious design and maximum flexibility in the creation of lighting tools capable of winning the most demanding challenges.

Merging into our company logo, these graphic signs create a visual intersection emblematically connecting two opposite worlds to generate a unique brand identity, blending boundless creativity and technical know-how into a success formula.



TELSTRA
PLAZA

Adelaide Oval

Ticket Office

Adelaide Oval

South Gate

Adelaide Oval



SUSTAINIBILITY MADE IN ITALY

Since our foundation we at GRIVEN have been proudly designing and manufacturing all our lighting fixtures in Italy. Innovation and durability, sustainability and efficiency are our main guidelines for the creation of all our product ranges, which are the result of high build and design standards of the MADE IN ITALY tradition. We consider our respect for the environment an integral part of our activities. Our careful procedures allow no waste, no polluting emissions, and no dangerous leaks. We care about our future and firmly want to improve the general environmental awareness through a coherent behaviour, by promoting greener engineering and production dynamics.

CUSTOMISED TO YOUR NEEDS

We are capable of customising down to the smallest detail our standard designs and all of our light fittings can rely upon extreme flexibility in the personalisation capability. Each idea is embraced from its inception to the development phase and the final realisation. Lighting designers and architects find in GRIVEN a perfect partner to achieve even the most audacious concepts, where the finishing, the photometric distribution, the LED configuration, the plug and play connection, the marine grade anti-corrosion treatment, the bespoke full-orientation fixing system, the smart color output management and the individual LED-array control provide the extra distinctiveness that makes a difference.





POLAR EDITION

Available for a wide selection of our lighting fixtures, the Polar Edition features an integrated de-icing system with electrically heated glass, which assures a comfortable functioning even in the utmost severe cold weather conditions. A front glass de-icing system with electronic voltage supply management allows for instant light output and access to full power flux. Comfortable operations are certified up to -40°C (-40°F).

ELECTRONIC THERMAL MANAGEMENT

Active junction temperature internal monitoring enables to withstand the warmest exterior weather conditions and guarantees the most efficient heat dissipation for safety, performance, high lumen maintenance standards and electronic components longevity.

Seamless operations are certified up to 50°C (122°F).

MAXIMUM CONTROL FLEXIBILITY AND COMPATIBILITY

Easy system configuration and manpower costs reduction are guaranteed by the plug&play set-up provided by the standardised or custom power-and-data cables connection supplied with outdoor rated connectors.

Maximum control flexibility is assured by the comprehensive compatibility with the industry lighting management standards and optional data transmission via DMX, DALI or CASAMBI protocols, where RFU, RDM, self-addressing or stand-alone modes are available options, wireless, too.



GRIVEN

INDEX








































GRIVEND 

CATALOGUE

SYMBOLS

LEGEND



| | | | | | |
|--|-----------------------------------|---|--|---|------------------------------|
|  | RGBW |  | DALI MODE |  | ELECTRONIC BLACKOUT FUNCTION |
|  | RGBW |  | INDEPENDENT PIXEL FIXTURE |  | ROTATING GOBO |
|  | MULTICHIP |  | SELF-ADDRESSING FIXTURE |  | FIXED GOBO |
|  | DYNAMIC WHITE |  | WIRELESS DATA COMMUNICATION SYSTEM |  | ROTATING COLOUR WHEEL |
|  | COLD WHITE |  | CLASS I |  | PRISM EFFECT |
|  | NATURAL WHITE |  | CLASS III |  | PULSE EFFECT |
|  | WARM WHITE |  | INGRESS PROTECTION RATING |  | ZOOM |
|  | WHITE RAL 9003 |  | IMPACT PROTECTION RATING |  | OPTIONAL FEATURE |
|  | GRIVEN GREY |  | WEIGHT | | |
|  | ANTHRACITE RAL 7016 |  | ANTI-SALINE TREATMENT | | |
|  | BLACK RAL 9005 |  | ANTI-SLIP TREATMENT | | |
|  | POLAR EDITION |  | LOAD BEARING | | |
|  | DMX MODE |  | FOCUS FUNCTION | | |
|  | REMOTE FIRMWARE UPDATE FUNCTION |  | ELECTRONIC LINEAR 0-100% DIMMER FUNCTION | | |
|  | REMOTE DEVICE MANAGEMENT FUNCTION |  | ELECTRONIC STROBE FUNCTION | | |

CUSTOMISATIONS

This catalogue features a broad range of standard designs covering several lighting industry applications. However, we also have in-house prototype and customisation capabilities to accommodate modifications so to assure maximum products adaptation to specific site conditions and dedicated project requirements.

SQUARE SHAPED FIXTURES

FAÇADE LIGHTING



CAPITAL 600
19



CAPITAL 600 US
23



CAPITAL 600 MC
27



CAPITAL 300
31



CAPITAL 300 US
35



CAPITAL 300 MC
39



CAPITAL 200
43



CAPITAL 200 US
47



CAPITAL 200 MC
51



CAPITAL 100
55



CAPITAL 100 US
59



CAPITAL 100 MC
63



ONYX XQ
67

ROUND SHAPED FIXTURES

FAÇADE LIGHTING



JASPER
73



RUBY MC
77



RUBY XP
81



JADE 16
85



JADE 9
89



MICRO-CLIP MC
93



MICRO-CLIP MK2 W
93



MICRO-CLIP XQ
97

LINEAR MODULES

LINEAR WALL GRAZING



PARADE L
103



MICROPARADE
107



NANOPARADE
111

ROUND SHAPED FIXTURES

RECESSED APPLICATIONS



DUNE MC
127



DUNE MK2
131



RUBY MC R
135



RUBY R
139



SATHURNO
143



MICRO-DUNE MC
147



MICRO-DUNE MK2 W
147



MICRO-DUNE XQ
151



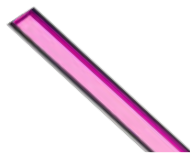
ATHOMO
155

LINEAR MODULES

RECESSED APPLICATIONS



PARADE L RECESSED
117

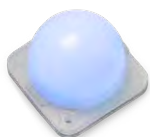


MOLED
121

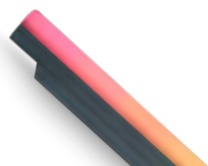
MULTIMEDIA PIXEL LIGHTING



GRAPH-i-CELL
161



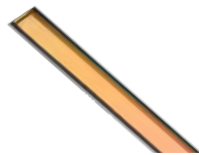
GRAPH-i-DOT
165



GRAPH-i-LINE
169



GRAPH-i-PIX
173



MOLED GRAPHIC
177

WATER FEATURES LIGHTING



MAXI WATERLED
193



WATERLED MK2
197



MINI WATERLED
201

IMAGE PROJECTION



GOBOLED 500
183



GOBOLED 80 D
187

ACCENT LIGHTING



EKLIPSE
207



ORPHEO S
211

APPENDIX
215

ACKNOWLEDGEMENT
221





FAÇADE LIGHTING

SQUARE SHAPED FIXTURES

Completely revamped by a new series of modular and highly flexible fixtures, our flagship product range boasts a fully restyled design, supported by a clean shape and sleek profile, allowing for seamless integration in every architectural context. High power fixtures for striking output even at long distances, as well as more compact models for outstanding illumination at medium reach, can be configured with multiple options for the utmost adaptability to different project prerequisites. The new combination of premium class RGBW LEDs, featuring 4000K natural white, delivers the widest range of warm white shades and pastel tones assortment. Alternative white light, tunable white and, on request, monochrome or multiple bespoke colour selection versions further ensure maximum chromatic adaptability. A full selection of high build design optics offers the utmost efficiency, balanced projection and photometric flexibility. The digital control via DMX512 protocol includes also stand-alone, Master-Slave, Remote Firmware Update (RFU), and Remote Device Management (RDM) functions. CSA certified versions as well as Polar Edition options have been developed for each model. Four different finish colour options are now available as standard features to take this remarkable range to a superior level.



CAPITAL 600

FAÇADE LIGHTING

Combining a minimal, neat design with brilliant performance capabilities, GRIVEN's latest generation of the **CAPITAL 600** floodlight series is available with a vast choice of combinable optics and colour configurations for the maximum lighting design flexibility. Featuring full independent control of each LED bank, this double cluster luminaire allows absolute freedom to create impressive matching or divergent dynamic effects on large-scale façades and remote spots with a surprising luminous output.

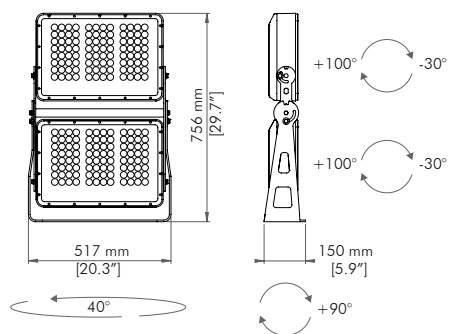


CAPITAL 600

GRIVEN 

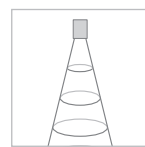
CAPITAL 600

GRIVEND 



BEAM ANGLE REFERENCE

| RGBW | | WHITE LIGHT | |
|-----------------|---------------------|-----------------|---------------------|
| SPOT | 8° | SPOT | 12° |
| NARROW | 12° | NARROW | 15° |
| MEDIUM | 23° | MEDIUM | 25° |
| WIDE | 43° | WIDE | 47° |
| EXTRA WIDE | 68° | EXTRA WIDE | 61° |
| ELLIPTICAL | 11°x41° | ELLIPTICAL | 14°x39° |
| ELLIPTICAL WIDE | 22°x39° | ELLIPTICAL WIDE | 23°x37° |
| WALL WASH | 14°(5° incline)x37° | WALL WASH | 19°(5° incline)x38° |



MAX OUTPUT
62790 lm
(SP CW configuration)

PHOTOMETRIC DETAILS AVAILABLE ON OUR WEBSITE

FEATURES AND OPTIONS



ACCESSORIES



AL8235
VISOR (one for each bank)



AL1321 INFRARED
REMOTE CONTROL



AL8274 BEEHIVE ANTIGLARE
(one for each bank)



AL8236
SNOOT (one for each bank)



AL8237 WIRE GUARD
(one for each bank)

CODES

AL5020 CAPITAL 600

AL5022 CAPITAL 600 POLAR EDITION

LED TYPE

RN RGB+W 4000K
DW From 2700K to 6500K
CW Cold White 6500K
NW Natural White 4000K
WW Warm White 3000K

CONTROL SYSTEM

R DMX-RDM
W DMX-RDM wireless
D DALI

FINISH

W White RAL 9003
G GRIVEN Grey
A Anthracite RAL 7016
B Black RAL 9005

CABLE TYPE

S POWER IN, DMX IN, DMX OUT
C Monocable with connectors
M Monocable without connectors

OPTICS*

AL8239 SPOT OPTICS
AL8240 NARROW OPTICS
AL8241 MEDIUM OPTICS
AL8242 WIDE OPTICS
AL8243 EXTRA WIDE OPTICS
AL8244 ELLIPTICAL OPTICS
AL8245 ELLIPTICAL WIDE OPTICS
AL8275 WALL WASH OPTICS

NOTES

Unless an RDM compatible control is used, CAPITAL 600 must always be purchased with AL1321 Infrared Remote Control. More CAPITAL 600 units can be controlled with one AL1321. *CAPITAL 600 must always be purchased with two of the above listed optics.

TECHNICAL SPECIFICATIONS

CAPITAL 600 is an IP67 powerful single-mount floodlight, whose die cast aluminium body hosts 192 high brightness RGBW, Dynamic White, Cold White, Natural White, Warm White or, on request, monochrome power LEDs. Dimensions: 517 mm x 150 mm x 756 mm. Available in DMX, automatic and Master-Slave mode, it also features RFU (Remote firmware update), and RDM (Remote device management) functions. DALI or DMX-RDM wireless control available on request. Unless an RDM compatible control is used, one Infrared Remote Control AL1321 must always be purchased for one or more CAPITAL 600 units in order to access DMX addressing, stand-alone operations and DMX channels configurations. Power supply: standard 100÷277V / 50-60Hz. Power consumption: RGBW 2.7A @ 230V / 598W max, W 2.6A @ 230V / 580W max. An Electrical Class I appliance, it also features self-resetting fuse protection as well as integrated electronic thermal protection management. The Polar Edition, fitted with an integrated de-icing system with electrically heated glass, is available on request. Operating temperature: -40°C to 50°C (-40°F to 122°F).

DIGITAL CONTROL SYSTEM SPECIFICATIONS AND CONFIGURATIONS AVAILABLE ON OUR WEBSITE



SOUTH KOREA_Yeongkwang Great Bridge, Jeollanam-Do Province



CAPITAL 600 US

FAÇADE LIGHTING

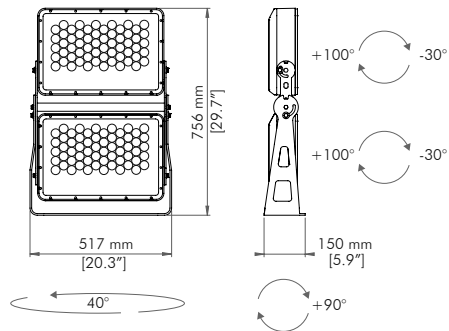
Combining a minimal, neat design with brilliant performance capabilities, **CAPITAL 600 US** features an ultra-spot, long-shot beam of light capable of reaching remarkable distances with accurate beam angle definition. The full independent control of each LED bank allows absolute freedom in the creation of impressive matching or divergent dynamic effects on previously unreachable and remote spots with a surprising luminous output.



CAPITAL 600 US

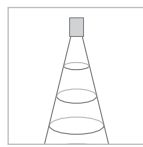
CAPITAL 600 US

GRIVEND 



BEAM ANGLE REFERENCE

ULTRA SPOT 3.2°



MAX OUTPUT
20300 lm
(US CW configuration)

PHOTOMETRIC DETAILS AVAILABLE ON OUR WEBSITE

FEATURES AND OPTIONS



ACCESSORIES



AL8235
VISOR (one for each bank)



AL1321 INFRARED
REMOTE CONTROL



AL8236
SNOOT (one for each bank)



AL8237 WIRE GUARD
(one for each bank)

CODES

AL5024 CAPITAL 600 US

AL5025 CAPITAL 600 US POLAR EDITION

LED TYPE

RN RGB+W 4000K
DW From 2700K to 6500K
CW Cold White 6500K
NW Natural White 4000K
WW Warm White 3000K

CONTROL SYSTEM

R DMX-RDM
W DMX-RDM wireless
D DALI

FINISH

W White RAL 9003
G GRIVEN Grey
A Anthracite RAL 7016
B Black RAL 9005

CABLE TYPE

S POWER IN, DMX IN, DMX OUT
C Monocable with connectors
M Monocable without connectors

OPTICS*

AL8238 ULTRA SPOT OPTICS

NOTES

Unless an RDM compatible control is used, CAPITAL 600 US must always be purchased with AL1321 Infrared Remote Control. More CAPITAL 600 US units can be controlled with one AL1321. *CAPITAL 600 US must always be purchased with two of the above listed optics.

TECHNICAL SPECIFICATIONS

CAPITAL 600 US is an IP67 powerful single-mount light fitting, whose die cast aluminium body hosts 120 high brightness RGBW, Dynamic White, Cold White, Natural White, Warm White or, on request, monochrome power LEDs. Dimensions: 517 mm x 150 mm x 756 mm. Available in DMX, automatic and Master-Slave mode, it also features RFU (Remote firmware update), and RDM (Remote device management) functions. DALI or DMX-RDM wireless control available on request. Unless an RDM compatible control is used, one Infrared Remote Control AL1321 must always be purchased for one or more CAPITAL 600 US units in order to access DMX addressing, stand-alone operations and DMX channels configurations. Power supply: standard 100÷277V / 50-60Hz. Power consumption: 1.9A @ 230V / 406W max. An Electrical Class I appliance, it also features self-resetting fuse protection as well as integrated electronic thermal protection management. The Polar Edition, fitted with an integrated de-icing system with electrically heated glass, is available on request. Operating temperature: -40°C to 50°C (-40°F to 122°F).

DIGITAL CONTROL SYSTEM SPECIFICATIONS AND CONFIGURATIONS AVAILABLE ON OUR WEBSITE



MOROCCO_Noor Tower, Ouarzazate



CAPITAL 600 MC

FAÇADE LIGHTING

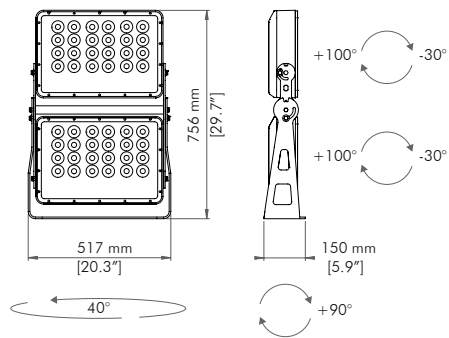
Combining a minimal, neat design with brilliant performance capabilities, **CAPITAL 600 MC** is available with a choice of optics for the maximum lighting design flexibility. Responding to the lighting designer's need for aesthetic appeal and chromatic adaptability, **CAPITAL 600 MC** features multichip LEDs, which enhance seamless light distribution and smooth colour transition. Featuring full independent control of each LED bank, this double cluster luminaire allows absolute freedom to create impressive matching or divergent dynamic effects on large-scale façades with a surprising luminous output.



CAPITAL 600 MC

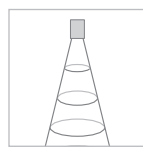
CAPITAL 600 MC

GRIVEND 



BEAM ANGLE REFERENCE

| | |
|--------|-----|
| SPOT | 7° |
| NARROW | 10° |
| MEDIUM | 23° |
| WIDE | 35° |



MAX OUTPUT
17661 lm
(SP DW configuration)

PHOTOMETRIC DETAILS AVAILABLE ON OUR WEBSITE

FEATURES AND OPTIONS



ACCESSORIES



CODES

AL5021 CAPITAL 600 MC

AL5023 CAPITAL 600 MC POLAR EDITION

LED TYPE

RN RGB+W 4000K

DW From 3000K to 6500K

CONTROL SYSTEM

R DMX-RDM

W DMX-RDM wireless

D DALI

FINISH

W White RAL 9003

G GRIVEN Grey

A Anthracite RAL 7016

B Black RAL 9005

CABLE TYPE

S POWER IN, DMX IN, DMX OUT

C Monocable with connectors

M Monocable without connectors

OPTICS*

AL8246 SPOT OPTICS

AL8247 NARROW OPTICS

AL8248 MEDIUM OPTICS

AL8249 WIDE OPTICS

NOTES

Unless an RDM compatible control is used, CAPITAL 600 MC must always be purchased with AL1321 Infrared Remote Control. More CAPITAL 600 MC units can be controlled with one AL1321. *CAPITAL 600 MC must always be purchased with two of the above listed optics.

TECHNICAL SPECIFICATIONS

CAPITAL 600 MC is an IP67 powerful floodlight, whose die cast aluminium body hosts 48 high brightness RGBW or Dynamic White multichip LEDs. Dimensions: 517 mm x 150 mm x 756 mm. Available in DMX, automatic and Master-Slave mode, it also features RFU (Remote firmware update), and RDM (Remote device management) functions. DALI or DMX-RDM wireless control available on request. Unless an RDM compatible control is used, one Infrared Remote Control AL1321 must always be purchased for one or more CAPITAL 600 MC units in order to access DMX addressing, stand-alone operations and DMX channels configurations. Power supply: standard 100÷277V / 50-60Hz. Power consumption: 2.6A @ 230V / 490W max. An Electrical Class I appliance, it also features self-resetting fuse protection as well as integrated electronic thermal protection management. The Polar Edition, fitted with an integrated de-icing system with electrically heated glass, is available on request. Operating temperature: -40°C to 50°C (-40°F to 122°F).

DIGITAL CONTROL SYSTEM SPECIFICATIONS AND CONFIGURATIONS AVAILABLE ON OUR WEBSITE



POLAND_Palace of Culture and Science, Warsaw



CAPITAL 300

FAÇADE LIGHTING

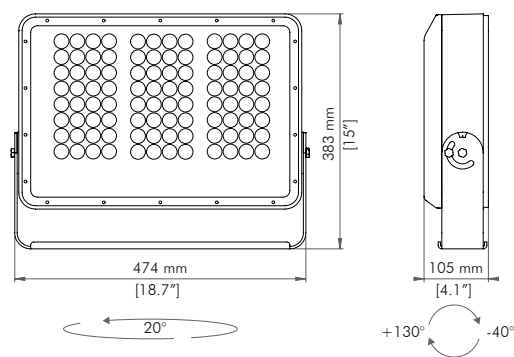
Featuring an elegant, stylish design and a sleek profile, which allow a seamless integration in every architectural environment, **CAPITAL 300** is the ideal solution for the dramatic illumination of large scale façades and high-rise buildings calling for high impact lighting. With an industry leading high lumen package, this luminaire effectively achieves desired goals, ranging from wall washing applications to architectural elements distinctive enhancement.



CAPITAL 300

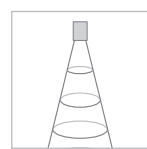
CAPITAL 300

GRIVEND 



BEAM ANGLE REFERENCE

| RGBW | | WHITE LIGHT | |
|-----------------|---------------------|-----------------|---------------------|
| SPOT | 8° | SPOT | 12° |
| NARROW | 12° | NARROW | 15° |
| MEDIUM | 23° | MEDIUM | 25° |
| WIDE | 43° | WIDE | 47° |
| EXTRA WIDE | 68° | EXTRA WIDE | 61° |
| ELLIPTICAL | 11°x41° | ELLIPTICAL | 14°x39° |
| ELLIPTICAL WIDE | 22°x39° | ELLIPTICAL WIDE | 23°x37° |
| WALL WASH | 14°(5° incline)x37° | WALL WASH | 19°(5° incline)x38° |



PHOTOMETRIC DETAILS AVAILABLE ON OUR WEBSITE

FEATURES AND OPTIONS



ACCESSORIES



CODES

AL5014 CAPITAL 300

AL5015 CAPITAL 300 POLAR EDITION

OPTICS

SP Spot
NA Narrow
ME Medium
WI Wide
EW Extra wide
EL Elliptical
WL Elliptical wide
WW Wall wash

LED TYPE

RN RGB+W 4000K
DW From 2700K to 6500K
CW Cold White 6500K
NW Natural White 4000K
WW Warm White 3000K

CONTROL SYSTEM

R DMX-RDM
W DMX-RDM wireless
D DALI

FINISH

W White RAL 9003
G GRIVEN Grey
A Anthracite RAL 7016
B Black RAL 9005

CABLE TYPE

S POWER IN, DMX IN, DMX OUT
C Monocable with connectors
M Monocable without connectors

NOTES

Unless an RDM compatible control is used, CAPITAL 300 must always be purchased with AL1321 Infrared Remote Control. More CAPITAL 300 units can be controlled with one AL1321.

TECHNICAL SPECIFICATIONS

CAPITAL 300 is an IP67 powerful floodlight, whose die cast aluminium body hosts 96 high brightness RGBW, Dynamic White, Cold White, Natural White, Warm White or, on request, monochrome power LEDs. Dimensions: 474 mm x 105 mm x 383 mm. Available in DMX, automatic and Master-Slave mode, it also features RFU (Remote firmware update), and RDM (Remote device management) functions. DALI or DMX-RDM wireless control available on request. Unless an RDM compatible control is used, one Infrared Remote Control AL1321 must always be purchased for one or more CAPITAL 300 units in order to access DMX addressing, stand-alone operations and DMX channels configurations. Power supply: standard 100÷277V / 50-60Hz. Power consumption: RGBW 1.34A @ 230V / 299W max, W 1.3A @ 230V / 290W max. An Electrical Class I appliance, it also features self-resetting fuse protection as well as integrated electronic thermal protection management. The Polar Edition, fitted with an integrated de-icing system with electrically heated glass, is available on request. Operating temperature: -40°C to 50°C (-40°F to 122°F).

DIGITAL CONTROL SYSTEM SPECIFICATIONS AND CONFIGURATIONS AVAILABLE ON OUR WEBSITE



Bolte Bridge



CAPITAL 300 US

FAÇADE LIGHTING

Combining a minimal, neat design with brilliant performance capabilities, **CAPITAL 300 US** features an ultra-spot, long-shot beam of light capable of reaching remarkable distances with accurate beam angle definition. **CAPITAL 300 US** is the ideal solution for an impressive illumination of high-rise buildings calling for a well-defined impact lighting.

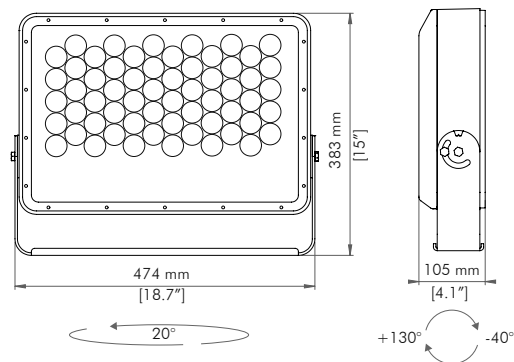


CAPITAL 300 US

GRIVEN 

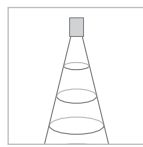
CAPITAL 300 US

GRIVEND 



BEAM ANGLE REFERENCE

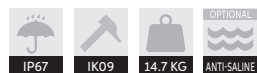
ULTRA SPOT 3.2°



MAX OUTPUT
10150 lm
(US CW configuration)

PHOTOMETRIC DETAILS AVAILABLE ON OUR WEBSITE

FEATURES AND OPTIONS



ACCESSORIES



AL8235
VISOR



AL8236
SNOOT



AL8237
WIRE GUARD



AL1321 INFRARED
REMOTE CONTROL



AL8260
3G FIXING BRACKET

CODES

AL5014 CAPITAL 300

AL5015 CAPITAL 300 POLAR EDITION

OPTICS

US Ultra spot

LED TYPE

RN RGB+W 4000K
DW From 2700K to 6500K
CW Cold White 6500K
NW Natural White 4000K
WW Warm White 3000K

CONTROL SYSTEM

R DMX-RDM
W DMX-RDM wireless
D DALI

FINISH

W White RAL 9003
G GRIVEN Grey
A Anthracite RAL 7016
B Black RAL 9005

CABLE TYPE

S POWER IN, DMX IN, DMX OUT
C Monocable with connectors
M Monocable without connectors

NOTES

Unless an RDM compatible control is used, CAPITAL 300 US must always be purchased with AL1321 Infrared Remote Control. More CAPITAL 300 US units can be controlled with one AL1321.

TECHNICAL SPECIFICATIONS

CAPITAL 300 US is an IP67 powerful light fitting, whose die cast aluminium body hosts 60 high brightness RGBW, Dynamic White, Cold White, Natural White, Warm White or, on request, monochrome power LEDs. Dimensions: 474 mm x 105 mm x 383 mm. Available in DMX, automatic and Master-Slave mode, it also features RFU (Remote firmware update), and RDM (Remote device management) functions. DALI or DMX-RDM wireless control available on request. Unless an RDM compatible control is used, one Infrared Remote Control AL1321 must always be purchased for one or more CAPITAL 300 US units in order to access DMX addressing, stand-alone operations and DMX channels configurations. Power supply: standard 100÷277V / 50-60Hz. Power consumption: 0.95A @ 230V / 203W max. An Electrical Class I appliance, it also features self-resetting fuse protection as well as integrated electronic thermal protection management. The Polar Edition, fitted with an integrated de-icing system with electrically heated glass, is available on request. Operating temperature: -40°C to 50°C (-40°F to 122°F).

DIGITAL CONTROL SYSTEM SPECIFICATIONS AND CONFIGURATIONS AVAILABLE ON OUR WEBSITE



USA_620 South Tryon, Charlotte NC



1918
1919
1920
1921
1922
1923
1924
1925
1926
1927
1928
1929
1930
1931
1932
1933
1934
1935
1936
1937
1938
1939
1940
1941
1942
1943
1944
1945
1946
1947
1948
1949
1950
1951
1952
1953
1954
1955
1956
1957
1958
1959
1960
1961
1962
1963
1964
1965
1966
1967
1968
1969
1970
1971
1972
1973
1974
1975
1976
1977
1978
1979
1980
1981
1982
1983
1984
1985
1986
1987
1988
1989
1990
1991
1992
1993
1994
1995
1996
1997
1998
1999
2000
2001
2002
2003
2004
2005
2006
2007
2008
2009
2010
2011
2012
2013
2014
2015
2016
2017
2018
2019
2020
2021
2022
2023
2024
2025

REGNANDO VITTORIO EMANUELE II
BENITO MUSSOLINI CAPO DEL GOVERNO
QUESTA TIERRA VOLLE REDENTURA
DAL MILLENNIO LETARGICO DI MORTE PERA STERILITÀ
E FRESSO, LE VESTIGIE DI BEMBOLE CIVILITÀ
DIEDE VITA
SÌEN DA
CHE PORTA NEL NOME GLI AUSPICI DELLA MIGRATA DINASTIA PEGNANTE
EDIFICATA IN 233 GIORNI
DALL'OPERA NAZIONALE PER I COMBATTENTI
PRESIEDUTA DA
VALENTINO D'OSOLINI GENELLI
INIZIO LA SUA MISSIONE CIVICA
IL XV APRILE MCMXXXVI ANNO XIII E F

CAPITAL 300 MC

FAÇADE LIGHTING

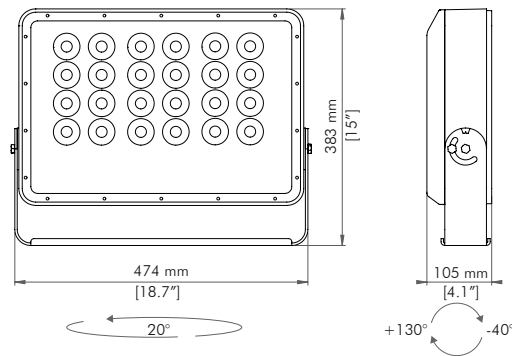
Featuring an elegant, stylish shape and a sleek profile, which allow a seamless integration in every architectural environment, **CAPITAL 300 MC** is the ideal solution for the dramatic illumination of large scale façades and high-rise buildings calling for high impact lighting. Responding to the lighting designer's need for aesthetic appeal and chromatic adaptability, **CAPITAL 300 MC** features multichip LEDs, which enhance seamless light distribution and smooth colour transition.



CAPITAL 300 MC

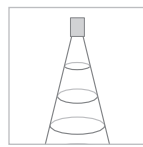
CAPITAL 300 MC

GRIVEND 



BEAM ANGLE REFERENCE

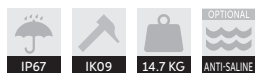
| | |
|--------|-----|
| SPOT | 7° |
| NARROW | 10° |
| MEDIUM | 23° |
| WIDE | 35° |



MAX OUTPUT
8830 lm
(SP DW configuration)

PHOTOMETRIC DETAILS AVAILABLE ON OUR WEBSITE

FEATURES AND OPTIONS



ACCESSORIES



CODES

AL5016 CAPITAL 300 MC

AL5017 CAPITAL 300 MC POLAR EDITION

OPTICS

SP Spot
NA Narrow
ME Medium
WI Wide

LED TYPE

RN RGB+W 4000K
DW From 3000K to 6500K

CONTROL SYSTEM

R DMX-RDM
W DMX-RDM wireless
D DALI

FINISH

W White RAL 9003
G GRIVEN Grey
A Anthracite RAL 7016
B Black RAL 9005

CABLE TYPE

S POWER IN, DMX IN, DMX OUT
C Monocable with connectors
M Monocable without connectors

NOTES

Unless an RDM compatible control is used, CAPITAL 300 MC must always be purchased with AL1321 Infrared Remote Control. More CAPITAL 300 MC units can be controlled with one AL1321.

TECHNICAL SPECIFICATIONS

CAPITAL 300 MC is an IP67 powerful floodlight, whose die cast aluminium body hosts 24 high brightness RGBW or Dynamic White multichip LEDs. Dimensions: 474 mm x 105 mm x 383 mm. Available in DMX, automatic and Master-Slave mode, it also features RFU (Remote firmware update), and RDM (Remote device management) functions. DALI or DMX-RDM wireless control available on request. Unless an RDM compatible control is used, one Infrared Remote Control AL1321 must always be purchased for one or more CAPITAL 300 MC units in order to access DMX addressing, stand-alone operations and DMX channels configurations. Power supply: standard 100±277V / 50-60Hz. Power consumption: 1.3A @ 230V / 245W max. An Electrical Class I appliance, it also features self-resetting fuse protection as well as integrated electronic thermal protection management. The Polar Edition, fitted with an integrated de-icing system with electrically heated glass, is available on request. Operating temperature: -40°C to 50°C (-40°F to 122°F).

DIGITAL CONTROL SYSTEM SPECIFICATIONS AND CONFIGURATIONS AVAILABLE ON OUR WEBSITE





TELSTRA
PLAZA

Adelaide Oval

Ticket Office

Adelaide Oval

South Gate

Adelaide Oval

Adelaide Oval

CAPITAL 200

FAÇADE LIGHTING

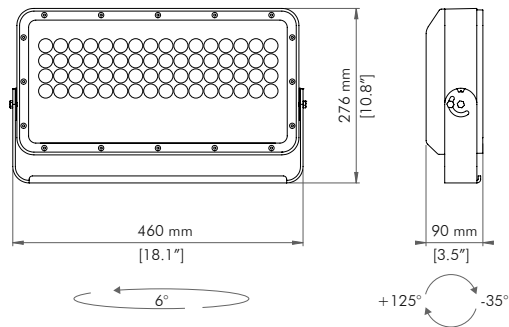
Allowing a smooth blending in every architectural background through its modern design and extremely sleek profile, **CAPITAL 200** delivers a powerful output from a compact body with outstanding performances. Fitted with a variety of optional high build and design optics groups for the utmost optical efficiency, this versatile floodlight also assures balanced projection and photometric flexibility tailored to the selective demands of the most sophisticated architectural needs.



CAPITAL 200

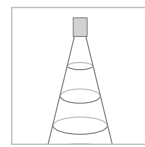
CAPITAL 200

GRIVEN 



BEAM ANGLE REFERENCE

| RGBW | | WHITE LIGHT | |
|-----------------|---------------------|-----------------|---------------------|
| SPOT | 8° | SPOT | 12° |
| NARROW | 12° | NARROW | 15° |
| MEDIUM | 23° | MEDIUM | 25° |
| WIDE | 43° | WIDE | 47° |
| EXTRA WIDE | 68° | EXTRA WIDE | 61° |
| ELLIPTICAL | 11°x41° | ELLIPTICAL | 14°x39° |
| ELLIPTICAL WIDE | 22°x39° | ELLIPTICAL WIDE | 23°x37° |
| WALL WASH | 14°(5° incline)x37° | WALL WASH | 19°(5° incline)x38° |



MAX OUTPUT
16275 lm
(SP CW configuration)

PHOTOMETRIC DETAILS AVAILABLE ON OUR WEBSITE

FEATURES AND OPTIONS



ACCESSORIES



AL8229
VISOR



AL8230
SNOOT



AL8231
WIRE GUARD



AL1321 INFRARED
REMOTE CONTROL



AL8259
3G FIXING BRACKET



AL8273
BEEHIVE ANTIGLARE

CODES

AL5010 CAPITAL 200

AL5012 CAPITAL 200 POLAR EDITION

OPTICS

SP Spot
NA Narrow
ME Medium
WI Wide
EW Extra wide
EL Elliptical
WL Elliptical wide
WW Wall wash

LED TYPE

RN RGB+W 4000K
DW From 2700K to 6500K
CW Cold White 6500K
NW Natural White 4000K
WW Warm White 3000K

CONTROL SYSTEM

R DMX-RDM
W DMX-RDM wireless
D DALI

FINISH

W White RAL 9003
G GRIVEN Grey
A Anthracite RAL 7016
B Black RAL 9005

CABLE TYPE

S POWER IN, DMX IN, DMX OUT
C Monocable with connectors
M Monocable without connectors

NOTES

Unless an RDM compatible control is used, CAPITAL 200 must always be purchased with AL1321 Infrared Remote Control. More CAPITAL 200 units can be controlled with one AL1321.

TECHNICAL SPECIFICATIONS

CAPITAL 200 is an IP67 medium sized floodlight, whose die cast aluminium body hosts 64 high brightness RGBW, Dynamic White, Cold White, Natural White, Warm White or, on request, monochrome power LEDs. Dimensions: 460 mm x 90 mm x 276 mm. Available in DMX, automatic and Master-Slave mode, it also features RFU (Remote firmware update), and RDM (Remote device management) functions. DALI or DMX-RDM wireless control available on request. Unless an RDM compatible control is used, one Infrared Remote Control AL1321 must always be purchased for one or more CAPITAL 200 units in order to access DMX addressing, stand-alone operations and DMX channels configurations. Power supply: standard 100÷277V / 50-60Hz. Power consumption: RGBW 0.71A @ 230V / 155W max, W 0.68A @ 230V / 148W max. An Electrical Class I appliance, it also features self-resetting fuse protection as well as integrated electronic thermal protection management. The Polar Edition, fitted with an integrated de-icing system with electrically heated glass, is available on request. Operating temperature: -40°C to 50°C (-40°F to 122°F).

DIGITAL CONTROL SYSTEM SPECIFICATIONS AND CONFIGURATIONS AVAILABLE ON OUR WEBSITE



AUSTRALIA_Adelaide Oval, Adelaide



Puskás Sportcsarnok

CAPITAL 200 US

FAÇADE LIGHTING

Allowing a smooth blending in every architectural background through its modern design and extremely sleek profile, **CAPITAL 200 US** delivers a powerful output from a compact body with outstanding performances at long distances owing to its ultra narrow optics.

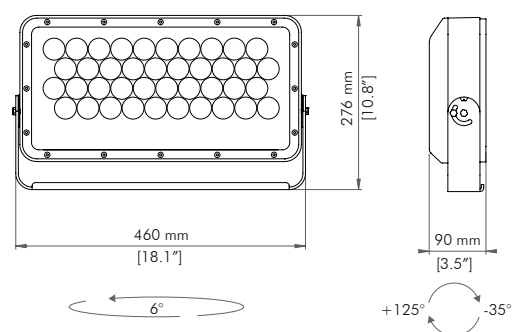


CAPITAL 200 US

GRIVEND

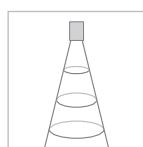
CAPITAL 200 US

GRIVEND 



BEAM ANGLE REFERENCE

ULTRA SPOT 3.2°



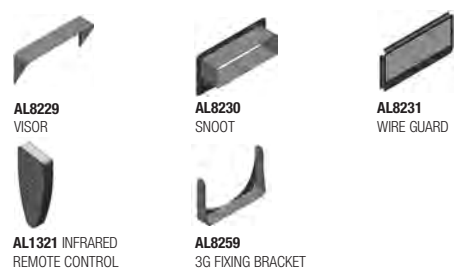
MAX OUTPUT
6950 lm
(US CW configuration)

PHOTOMETRIC DETAILS AVAILABLE ON OUR WEBSITE

FEATURES AND OPTIONS



ACCESSORIES



CODES

AL5010 CAPITAL 200

AL5012 CAPITAL 200 POLAR EDITION

OPTICS

US Ultra spot

LED TYPE

RN RGB+W 4000K
DW From 2700K to 6500K
CW Cold White 6500K
NW Natural White 4000K
WW Warm White 3000K

CONTROL SYSTEM

R DMX-RDM
W DMX-RDM wireless
D DALI

FINISH

W White RAL 9003
G GRIVEN Grey
A Anthracite RAL 7016
B Black RAL 9005

CABLE TYPE

S POWER IN, DMX IN, DMX OUT
C Monocable with connectors
M Monocable without connectors

NOTES

Unless an RDM compatible control is used, CAPITAL 200 US must always be purchased with AL1321 Infrared Remote Control. More CAPITAL 200 US units can be controlled with one AL1321.

TECHNICAL SPECIFICATIONS

CAPITAL 200 US is an IP67 medium sized floodlight, whose die cast aluminium body hosts 40 high brightness RGBW, Dynamic White, Cold White, Natural White, Warm White or, on request, monochrome power LEDs. Dimensions: 460 mm x 90 mm x 276 mm. Available in DMX, automatic and Master-Slave mode, it also features RFU (Remote firmware update), and RDM (Remote device management) functions. DALI or DMX-RDM wireless control available on request. Unless an RDM compatible control is used, one Infrared Remote Control AL1321 must always be purchased for one or more CAPITAL 200 US units in order to access DMX addressing, stand-alone operations and DMX channels configurations. Power supply: standard 100÷277V / 50-60Hz. Power consumption: 0.63A @ 230V / 139W max. An Electrical Class I appliance, it also features self-resetting fuse protection as well as integrated electronic thermal protection management. The Polar Edition, fitted with an integrated de-icing system with electrically heated glass, is available on request. Operating temperature: -40°C to 50°C (-40°F to 122°F).

DIGITAL CONTROL SYSTEM SPECIFICATIONS AND CONFIGURATIONS AVAILABLE ON OUR WEBSITE



HUNGARY_Puskás Arena, Budapest



CAPITAL 200 MC

FAÇADE LIGHTING

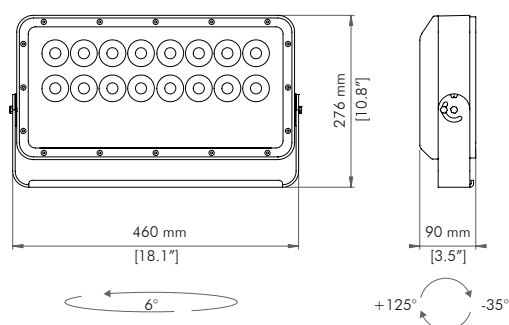
Responding to aesthetic appeal and chromatic adaptability criteria, **CAPITAL 200 MC** features multichip LEDs, which enhance seamless light distribution and smooth colour transition. Allowing a perfect blending in every architectural background through its eye-catching design and extremely sleek profile, **CAPITAL 200 MC** delivers a powerful output from a compact body with outstanding performances.



CAPITAL 200 MC

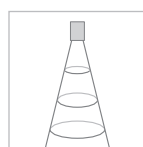
CAPITAL 200 MC

GRIVEND 



BEAM ANGLE REFERENCE

| | |
|--------|-----|
| SPOT | 7° |
| NARROW | 10° |
| MEDIUM | 23° |
| WIDE | 35° |



MAX OUTPUT
4524 lm
(SP DW configuration)

PHOTOMETRIC DETAILS AVAILABLE ON OUR WEBSITE

FEATURES AND OPTIONS



ACCESSORIES



CODES

AL5011 CAPITAL 200 MC

AL5013 CAPITAL 200 MC POLAR EDITION

OPTICS

SP Spot
NA Narrow
ME Medium
WI Wide

LED TYPE

RN RGB+W 4000K
DW From 3000K to 6500K

CONTROL SYSTEM

R DMX-RDM
W DMX-RDM wireless
D DALI

FINISH

W White RAL 9003
G GRIVEN Grey
A Anthracite RAL 7016
B Black RAL 9005

CABLE TYPE

S POWER IN, DMX IN, DMX OUT
C Monocable with connectors
M Monocable without connectors

NOTES

Unless an RDM compatible control is used, CAPITAL 200 MC must always be purchased with AL1321 Infrared Remote Control. More CAPITAL 200 MC units can be controlled with one AL1321.

TECHNICAL SPECIFICATIONS

CAPITAL 200 MC is an IP67 medium sized floodlight, whose die cast aluminium body hosts 16 high brightness RGBW or Dynamic White multichip LEDs. Dimensions: 460 mm x 90 mm x 276 mm. Available in DMX, automatic and Master-Slave mode, it also features RFU (Remote firmware update), and RDM (Remote device management) functions. DALI or DMX-RDM wireless control available on request. Unless an RDM compatible control is used, one Infrared Remote Control AL1321 must always be purchased for one or more CAPITAL 200 MC units in order to access DMX addressing, stand-alone operations and DMX channels configurations. Power supply: standard 100÷277V / 50-60Hz. Power consumption: 0.71A @ 230V / 156W max. An Electrical Class I appliance, it also features self-resetting fuse protection as well as integrated electronic thermal protection management. The Polar Edition, fitted with an integrated de-icing system with electrically heated glass, is available on request. Operating temperature: -40°C to 50°C (-40°F to 122°F).

DIGITAL CONTROL SYSTEM SPECIFICATIONS AND CONFIGURATIONS AVAILABLE ON OUR WEBSITE



ECUADOR_Cathedral of the Immaculate Conception, Cuenca



CAPITAL 100

FAÇADE LIGHTING

Hosting 32 premium quality high power LEDs, **CAPITAL 100** delivers remarkable performances from a strikingly compact body. Tailored to the demanding needs of the most imaginative architectural lighting specifications, this flexible and highly versatile floodlight is suitable for a variety of installations where a reduced mounting space leaves no wide choice to the most innovative lighting designers.

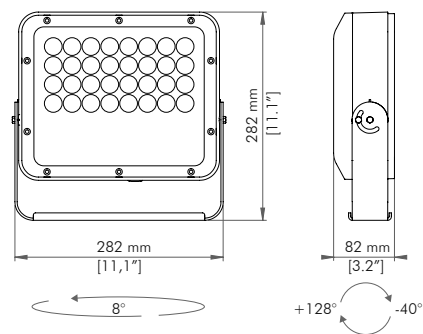


CAPITAL 100

GRIVEN

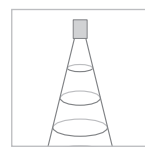
CAPITAL 100

GRIVEND 



BEAM ANGLE REFERENCE

| RGBW | | WHITE LIGHT | |
|-----------------|---------------------|-----------------|---------------------|
| SPOT | 8° | SPOT | 12° |
| NARROW | 12° | NARROW | 15° |
| MEDIUM | 23° | MEDIUM | 25° |
| WIDE | 43° | WIDE | 47° |
| EXTRA WIDE | 68° | EXTRA WIDE | 61° |
| ELLIPTICAL | 11°x41° | ELLIPTICAL | 14°x39° |
| ELLIPTICAL WIDE | 22°x39° | ELLIPTICAL WIDE | 23°x37° |
| WALL WASH | 14°(5° incline)x37° | WALL WASH | 19°(5° incline)x38° |



PHOTOMETRIC DETAILS AVAILABLE ON OUR WEBSITE

FEATURES AND OPTIONS



ACCESSORIES



CODES

AL5005 CAPITAL 100

AL5007 CAPITAL 100 POLAR EDITION

OPTICS

SP Spot
NA Narrow
ME Medium
WI Wide
EW Extra wide
EL Elliptical
WL Elliptical wide
WW Wall wash

LED TYPE

RN RGB+W 4000K
DW From 2700K to 6500K
CW Cold White 6500K
NW Natural White 4000K
WW Warm White 3000K

CONTROL SYSTEM

R DMX-RDM
W DMX-RDM wireless
D DALI

FINISH

W White RAL 9003
G GRIVEN Grey
A Anthracite RAL 7016
B Black RAL 9005

CABLE TYPE

S POWER IN, DMX IN, DMX OUT
C Monocable with connectors
M Monocable without connectors

NOTES

Unless an RDM compatible control is used, CAPITAL 100 must always be purchased with AL1321 Infrared Remote Control. More CAPITAL 100 units can be controlled with one AL1321.

TECHNICAL SPECIFICATIONS

CAPITAL 100 is an IP67 compact floodlight, whose die cast aluminium body hosts 32 high brightness RGBW, Dynamic White, Cold White, Natural White, Warm White or, on request, monochrome power LEDs. Dimensions: 282 mm x 82 mm x 282 mm. Available in DMX, automatic and Master-Slave mode, it also features RFU (Remote firmware update), and RDM (Remote device management) functions. DALI or DMX-RDM wireless control available on request. Unless an RDM compatible control is used, one Infrared Remote Control AL1321 must always be purchased for one or more CAPITAL 100 units in order to access DMX addressing, stand-alone operations and DMX channels configurations. Power supply: standard 100÷277V / 50-60Hz. Power consumption: RGBW 0.32A @ 230V / 73W max, W 0.31A @ 230V / 70.5W max. An Electrical Class I appliance, it also features self-resetting fuse protection as well as integrated electronic thermal protection management. The Polar Edition, fitted with an integrated de-icing system with electrically heated glass, is available on request. Operating temperature: -40°C to 50°C (-40°F to 122°F).

DIGITAL CONTROL SYSTEM SPECIFICATIONS AND CONFIGURATIONS AVAILABLE ON OUR WEBSITE





НОВОСИБИРСКИЙ
ГОСУДАРСТВЕННЫЙ
УНИВЕРСИТЕТ

CAPITAL 100 US

FAÇADE LIGHTING

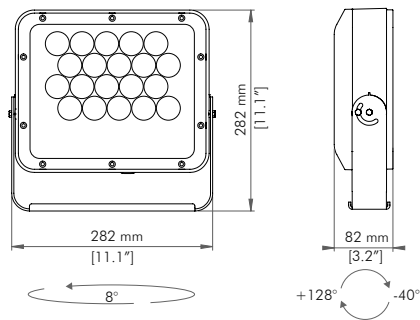
Fitted with an ultra-spot optics, **CAPITAL 100 US** delivers remarkable performances at medium to long distances from an extremely compact body. Tailored to the demanding needs of the most imaginative architectural lighting specifications, this flexible and highly versatile floodlight is suitable for a variety of installations with reduced mounting space requiring long-shot performance.



CAPITAL 100 US

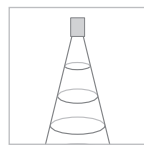
CAPITAL 100 US

GRIVEND 



BEAM ANGLE REFERENCE

ULTRA SPOT 3.2°



MAX OUTPUT
3300 lm
(US CW configuration)

PHOTOMETRIC DETAILS AVAILABLE ON OUR WEBSITE

FEATURES AND OPTIONS



ACCESSORIES



CODES

AL5005 CAPITAL 100

AL5007 CAPITAL 100 POLAR EDITION

OPTICS

US Ultra spot

LED TYPE

RN RGB+W 4000K
 DW From 2700K to 6500K
 CW Cold White 6500K
 NW Natural White 4000K
 WW Warm White 3000K

CONTROL SYSTEM

R DMX-RDM
 W DMX-RDM wireless
 D DALI

FINISH

W White RAL 9003
 G GRIVEN Grey
 A Anthracite RAL 7016
 B Black RAL 9005

CABLE TYPE

S POWER IN, DMX IN, DMX OUT
 C Monocable with connectors
 M Monocable without connectors

NOTES

Unless an RDM compatible control is used, CAPITAL 100 US must always be purchased with AL1321 Infrared Remote Control. More CAPITAL 100 US units can be controlled with one AL1321.

TECHNICAL SPECIFICATIONS

CAPITAL 100 US is an IP67 compact floodlight, whose die cast aluminium body hosts 20 high brightness RGBW, Dynamic White, Cold White, Natural White, Warm White or, on request, monochrome power LEDs. Dimensions: 282 mm x 82 mm x 282 mm. Available in DMX, automatic and Master-Slave mode, it also features RFU (Remote firmware update), and RDM (Remote device management) functions. DALI or DMX-RDM wireless control available on request. Unless an RDM compatible control is used, one Infrared Remote Control AL1321 must always be purchased for one or more CAPITAL 100 US units in order to access DMX addressing, stand-alone operations and DMX channels configurations. Power supply: standard 100÷277V / 50-60Hz. Power consumption: 0.29A @ 230V / 66W max. An Electrical Class I appliance, it also features self-resetting fuse protection as well as integrated electronic thermal protection management. The Polar Edition, fitted with an integrated de-icing system with electrically heated glass, is available on request. Operating temperature: -40°C to 50°C (-40°F to 122°F).

DIGITAL CONTROL SYSTEM SPECIFICATIONS AND CONFIGURATIONS AVAILABLE ON OUR WEBSITE





CAPITAL 100 MC

FAÇADE LIGHTING

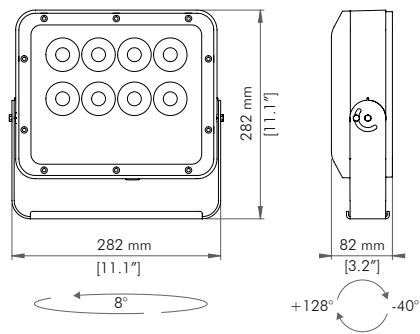
Featuring an extremely compact body, **CAPITAL 100 MC** complies with the most actual architectural lighting specifications. Responding to aesthetic appeal and chromatic adaptability criteria, **CAPITAL 100 MC** features multichip LEDs, which enhance seamless light distribution and smooth colour transition. This flexible and highly versatile floodlight is suitable for a variety of installations where a reduced mounting space leaves no wide choice.



CAPITAL 100 MC

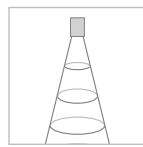
CAPITAL 100 MC

GRIVEND 



BEAM ANGLE REFERENCE

| | |
|--------|-----|
| SPOT | 7° |
| NARROW | 10° |
| MEDIUM | 23° |
| WIDE | 35° |



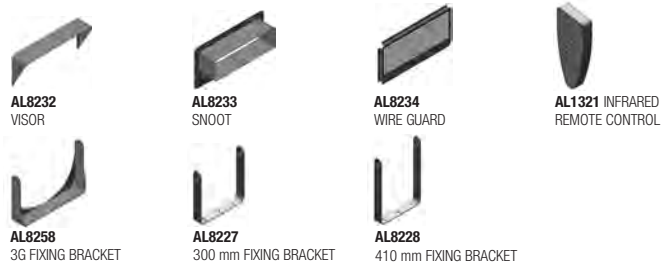
MAX OUTPUT
2146 lm
(SP DW configuration)

PHOTOMETRIC DETAILS AVAILABLE ON OUR WEBSITE

FEATURES AND OPTIONS



ACCESSORIES



CODES

AL5006 CAPITAL 100 MC

AL5008 CAPITAL 100 MC POLAR EDITION

OPTICS

SP Spot
NA Narrow
ME Medium
WI Wide

LED TYPE

RN RGB+W 4000K
DW From 3000K to 6500K

CONTROL SYSTEM

R DMX-RDM
W DMX-RDM wireless
D DALI

FINISH

W White RAL 9003
G GRIVEN Grey
A Anthracite RAL 7016
B Black RAL 9005

CABLE TYPE

S POWER IN, DMX IN, DMX OUT
C Monocable with connectors
M Monocable without connectors

NOTES

Unless an RDM compatible control is used, CAPITAL 100 MC must always be purchased with AL1321 Infrared Remote Control. More CAPITAL 100 MC units can be controlled with one AL1321.

TECHNICAL SPECIFICATIONS

CAPITAL 100 MC is an IP67 compact floodlight, whose die cast aluminium body hosts 8 high brightness RGBW or Dynamic White multichip LEDs. Dimensions: 282 mm x 82 mm x 282 mm. Available in DMX, automatic and Master-Slave mode, it also features RFU (Remote firmware update), and RDM (Remote device management) functions. DALI or DMX-RDM wireless control available on request. Unless an RDM compatible control is used, one Infrared Remote Control AL1321 must always be purchased for one or more CAPITAL 100 MC units in order to access DMX addressing, stand-alone operations and DMX channels configurations. Power supply: standard 100÷277V / 50-60Hz. Power consumption: 0.34A @ 230V / 74W max. An Electrical Class I appliance, it also features self-resetting fuse protection as well as integrated electronic thermal protection management. The Polar Edition, fitted with an integrated de-icing system with electrically heated glass, is available on request. Operating temperature: -40°C to 50°C (-40°F to 122°F).

DIGITAL CONTROL SYSTEM SPECIFICATIONS AND CONFIGURATIONS AVAILABLE ON OUR WEBSITE



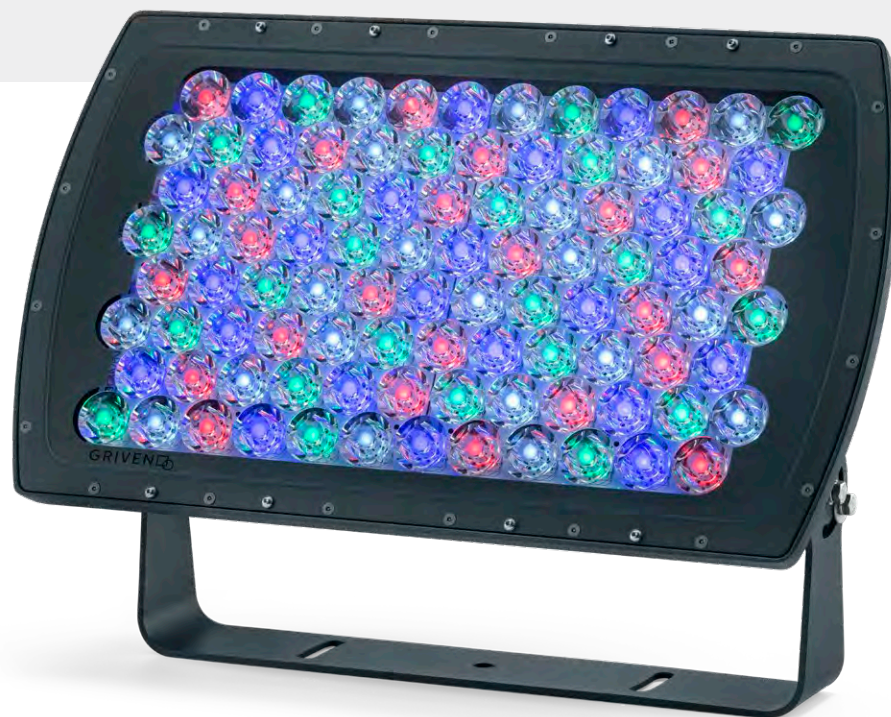
ITALY - Via Giorgio Rizzardi, Marghera



ONYX XQ

FAÇADE LIGHTING

Specific for architectural projects demanding for impressive though sustainable lighting performance, **ONYX XQ** features an incomparably functional, ultra-spot, sharp, long-shot beam of light capable of reaching previously unthinkable distances with amazing precision and even light distribution.

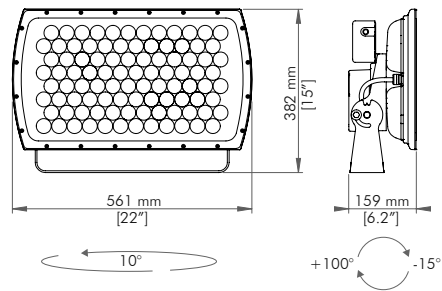


ONYX XQ

GRIVEN 

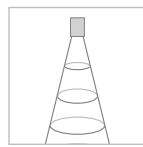
ONYX XQ

GRIVEN 



BEAM ANGLE REFERENCE

ULTRA SPOT 3.2°



MAX OUTPUT
22048 lm
(US CW configuration)

PHOTOMETRIC DETAILS AVAILABLE ON OUR WEBSITE

FEATURES AND OPTIONS



ACCESSORIES



CODES

AL4436 ONYX XQ

| OPTICS | LED TYPE | FINISH | OPTION |
|---------------|------------------------|-----------------------|------------------|
| US Ultra spot | RN RGB+W 4000K | W White RAL 9003 | PE Polar Edition |
| | DW From 2700K to 6500K | G GRIVEN Grey | |
| | CW Cold White 6500K | A Anthracite RAL 7016 | |
| | NW Natural White 4000K | B Black RAL 9005 | |
| | WW Warm White 3000K | | |

TECHNICAL SPECIFICATIONS

ONYX XQ is an IP66 powerful floodlight, whose die cast aluminium body hosts 96 high brightness RGBW, Dynamic White, Cold White, Natural White, Warm White or, on request, monochrome power LEDs. Dimensions: 561 mm x 159 mm x 382 mm. Available in DMX, automatic and Master-Slave mode, it also features RFU (Remote firmware update) and RDM (Remote device management) functions. On-board control panel to access DMX addressing, stand-alone operations and DMX channels configurations. Power supply: standard 100÷277V / 50-60Hz. Power consumption: 1.34A @ 230V / 286W max. An Electrical Class I appliance, it also features self-resetting fuse protection as well as integrated electronic thermal protection management. The Polar Edition, fitted with an integrated de-icing system with electrically heated glass, is available on request. Operating temperature: -40°C to 50°C (-40°F to 122°F).

DIGITAL CONTROL SYSTEM SPECIFICATIONS AND CONFIGURATIONS AVAILABLE ON OUR WEBSITE



GERMANY_thyssenkrupp tower, Rottweil





FAÇADE LIGHTING

ROUND SHAPED FIXTURES

These stylish round shaped solutions meet the latest aesthetical demands delivering astonishing output mostly from elegant medium-sized or fashionable compact housings. The new combination of premium class RGBW LEDs, featuring 4000K natural white, delivers the widest range of warm white shades and pastel tones assortment. Alternative white light, tunable white and, on request, monochrome or multiple bespoke colour selection versions further ensure maximum chromatic adaptability. A full selection of high build design optics offers the utmost efficiency, balanced projection and photometric flexibility. The digital control via DMX512 protocol includes also standalone, Master-Slave, Remote Firmware Update (RFU) and Remote Device Management (RDM) functions. CSA certified versions as well as Polar Edition options have been engineered for ample usage versatility. Four different finish shades are now available as standard features to take this remarkable range to a superior level.



JASPER

FAÇADE LIGHTING

Ideal for spot or flood lighting of building façades or large areas, **JASPER** meets the latest design requirements and aesthetical prerequisites demanding for powerful and efficient lighting solutions capable of delivering high level performances with a reduced power consumption.

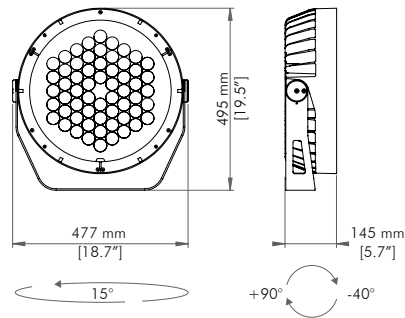


JASPER

GRIVEND

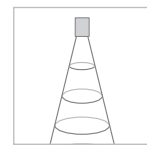
JASPER

GRIVEND 



BEAM ANGLE REFERENCE

| RGBW | | WHITE LIGHT | |
|-----------------|---------|-----------------|---------|
| ULTRA SPOT | 4° | ULTRA SPOT | 7° |
| SPOT | 8° | SPOT | 12° |
| NARROW | 11° | NARROW | 15° |
| MEDIUM | 23° | MEDIUM | 25° |
| WIDE | 43° | WIDE | 47° |
| EXTRA WIDE | 69° | EXTRA WIDE | 61° |
| ULTRA WIDE | 130° | ULTRA WIDE | 130° |
| ELLIPTICAL | 11°x41° | ELLIPTICAL | 14°x39° |
| ELLIPTICAL WIDE | 22°x39° | ELLIPTICAL WIDE | 23°x37° |



PHOTOMETRIC DETAILS AVAILABLE ON OUR WEBSITE

FEATURES AND OPTIONS



ACCESSORIES



CODES

AL4360 JASPER

OPTICS

US Ultra spot
 SP Spot
 NA Narrow
 ME Medium
 WI Wide
 EW Extra wide
 UW Ultra wide
 EL Elliptical
 WL Elliptical Wide

LED TYPE

RN RGB+W 4000K
 DW From 2700K to 6500K
 CW Cold White 6500K
 NW Natural White 4000K
 WW Warm White 3000K

FINISH

W White RAL 9003
 G GRIVEN Grey
 A Anthracite RAL 7016
 B Black RAL 9005

OPTION

PE Polar Edition

NOTES

Unless an RDM compatible control is used, JASPER must always be purchased with AL1321 Infrared Remote Control. More JASPER units can be controlled with one AL1321.

TECHNICAL SPECIFICATIONS

JASPER is an IP66 powerful floodlight, whose aluminium body hosts 60 high brightness RGBW, Dynamic White, Cold White, Natural White, Warm White or, on request, monochrome power LEDs. Dimensions: 477 mm x 145 mm x 495 mm. Available in DMX, automatic and Master-Slave mode, it also features RFU (Remote firmware update) and RDM (Remote device management) functions. Unless an RDM compatible control is used, one Infrared Remote Control AL1321 must always be purchased for one or more JASPER units in order to access DMX addressing, stand-alone operations and DMX channels configurations. Power supply: standard 100÷277V / 50-60Hz. Power consumption: 0.88A @ 230V / 195W max. An Electrical Class I appliance, it also features self-resetting fuse protection as well as integrated electronic thermal protection management. The Polar Edition, fitted with an integrated de-icing system with electrically heated glass, is available on request. Operating temperature: -40°C to 50°C (-40°F to 122°F).

DIGITAL CONTROL SYSTEM SPECIFICATIONS AND CONFIGURATIONS AVAILABLE ON OUR WEBSITE



BELGIUM_Cathedral of Our Lady, Antwerp



KICC

→ B

THE KENTUCKY INTERNATIONAL CONVENTION CENTER
1000 W. MARKET STREET
LOUISVILLE, KY 40202

KENTUCKY INTERNATIONAL CONVENTION CENTER
1000 W. MARKET STREET
LOUISVILLE, KY 40202

SALT HOUSE

RUBY MC

FAÇADE LIGHTING

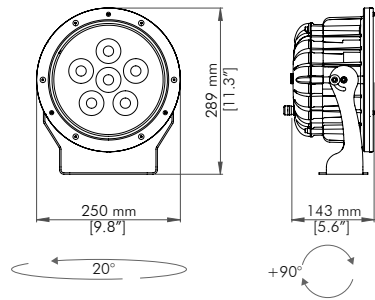
Satisfying a wide variety of architectural and landscape illumination needs, this stylish medium-sized rounded fixture is based on an efficient combination of powerful RGBW or tunable white multichip LEDs. **RUBY MC** is ideal for spot lighting and wall washing effects owing to the available optics groups ranging from spot aperture beams to wide distribution.



RUBY MC

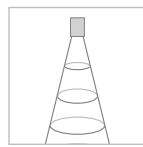
RUBY MC

GRIVEND 



BEAM ANGLE REFERENCE

| | |
|--------|-----|
| SPOT | 7° |
| NARROW | 10° |
| MEDIUM | 23° |
| WIDE | 35° |



MAX OUTPUT
1767 lm
(SP DW configuration)

PHOTOMETRIC DETAILS AVAILABLE ON OUR WEBSITE

FEATURES AND OPTIONS



ACCESSORIES



CODES

AL5249 RUBY MC

| OPTICS | LED TYPE | FINISH | OPTION |
|-----------|------------------------|-----------------------|------------------|
| SP Spot | RN RGB+W 4000K | W White RAL 9003 | PE Polar Edition |
| NA Narrow | DW From 3000K to 6500K | G GRIVEN Grey | |
| ME Medium | | A Anthracite RAL 7016 | |
| WI Wide | | B Black RAL 9005 | |

NOTES

Unless an RDM compatible control is used, RUBY MC must always be purchased with AL1321 Infrared Remote Control. More RUBY MC units can be controlled with one AL1321.

TECHNICAL SPECIFICATIONS

RUBY MC is an IP66 medium sized floodlight, whose aluminium body hosts 6 high brightness RGBW or Dynamic White multichip power LEDs. Dimensions: 250 mm x 143 mm x 289 mm. Available in DMX, automatic and Master-Slave mode, it also features RFU (Remote firmware update) and RDM (Remote device management) functions. Unless an RDM compatible control is used, one Infrared Remote Control AL1321 must always be purchased for one or more RUBY MC units in order to access DMX addressing, stand-alone operations and DMX channels configurations. Power supply: standard 100÷277V / 50-60Hz. Power consumption: 0.26A @ 230V / 57W max. An Electrical Class I appliance, it also features self-resetting fuse protection as well as integrated electronic thermal protection management. The Polar Edition, fitted with an integrated de-icing system with electrically heated glass, is available on request. Operating temperature: -30°C to 45°C (-40°F to 122°F).

DIGITAL CONTROL SYSTEM SPECIFICATIONS AND CONFIGURATIONS AVAILABLE ON OUR WEBSITE



USA_Kentucky International Convention Center, Louisville



RUBY XP

FAÇADE LIGHTING

RUBY XP is capable of delivering a highly efficient luminous flux taking advantage of the twenty high power LEDs it is fitted with. This stylish and versatile fixture easily conveys spot lighting and wall washing effects at medium to long distances owing to the wide selection of optics groups available.

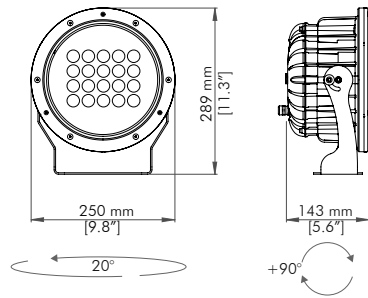


RUBY XP

GRIVEN

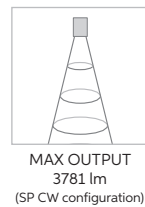
RUBY XP

GRIVEND 



BEAM ANGLE REFERENCE

| RGBW | | WHITE LIGHT | |
|-----------------|----------------------|-----------------|---------------------|
| SPOT | 7° | SPOT | 12° |
| NARROW | 11° | NARROW | 15° |
| MEDIUM | 20° | MEDIUM | 25° |
| WIDE | 43° | WIDE | 47° |
| EXTRA WIDE | 68° | EXTRA WIDE | 61° |
| ELLIPTICAL | 9°x41° | ELLIPTICAL | 14°x39° |
| ELLIPTICAL WIDE | 20°x38° | ELLIPTICAL WIDE | 23°x37° |
| WALL WASH | 14°(16° incline)x37° | WALL WASH | 19°(5° incline)x38° |



PHOTOMETRIC DETAILS AVAILABLE ON OUR WEBSITE

FEATURES AND OPTIONS



ACCESSORIES



AL4366
BARN DOOR



AL4985
SNOOT



AL4984
VISOR



AL1321 INFRARED
REMOTE CONTROL



AL8225
3G FIXING BRACKET



AL8218
210 mm FIXING BRACKET



AL8219
280 mm FIXING BRACKET



AL8220
350 mm FIXING BRACKET

CODES

AL4422 RUBY XP

OPTICS

SP Spot
NA Narrow
ME Medium
WI Wide
EW Extra wide
EL Elliptical
WL Elliptical wide
WW Wall wash

LED TYPE

RN RGB+W 4000K
DW From 2700K to 6500K
CW Cold White 6500K
NW Natural White 4000K
WW Warm White 3000K

FINISH

W White RAL 9003
G GRIVEN Grey
A Anthracite RAL 7016
B Black RAL 9005

NOTES

Unless an RDM compatible control is used, RUBY XP must always be purchased with AL1321 Infrared Remote Control. More RUBY XP units can be controlled with one AL1321.

TECHNICAL SPECIFICATIONS

RUBY XP is an IP66 medium sized floodlight, whose aluminium body hosts 20 high brightness RGBW, Dynamic White, Cold White, Natural White, Warm White or, on request, monochrome power LEDs. Dimensions: 250 mm x 143 mm x 289 mm. Available in DMX, automatic and Master-Slave mode, it also features RFU (Remote firmware update) and RDM (Remote device management) functions. Unless an RDM compatible control is used, one Infrared Remote Control AL1321 must always be purchased for one or more RUBY XP units in order to access DMX addressing, stand-alone operations and DMX channels configurations. Power supply: standard 100÷277V / 50-60Hz. Power consumption: 0.18A @ 230V / 37W max. An Electrical Class I appliance, it also features self-resetting fuse protection as well as integrated electronic thermal protection management. Operating temperature: -30°C to 50°C (-22°F to 122°F).

DIGITAL CONTROL SYSTEM SPECIFICATIONS AND CONFIGURATIONS AVAILABLE ON OUR WEBSITE



IRELAND_Rock of Cashel, Tipperary



JADE 16

FAÇADE LIGHTING

With its in-built electronics and power supply unit, **JADE 16** has become a must for the finest outdoor accent lighting installations. Capable of creating visual interest to specific architectural features or details, **JADE 16** boosts their peculiarity with differently shaped optics outputs.

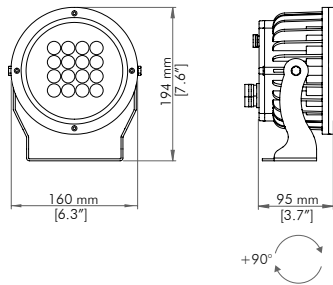


J A D E 1 6

GRIVEND

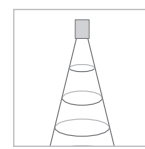
JADE 16

GRIVEND 



BEAM ANGLE REFERENCE

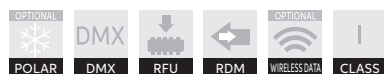
| RGBW | | WHITE LIGHT | |
|-----------------|---------|-----------------|---------|
| NARROW | 13° | NARROW | 19° |
| MEDIUM | 29° | MEDIUM | 30° |
| WIDE | 40° | WIDE | 48° |
| EXTRA WIDE | 58° | EXTRA WIDE | 58° |
| ELLIPTICAL | 12°x34° | ELLIPTICAL | 18°x34° |
| ELLIPTICAL WIDE | 29°x51° | ELLIPTICAL WIDE | 40°x55° |



MAX OUTPUT
2906 lm
(NA CW configuration)

PHOTOMETRIC DETAILS AVAILABLE ON OUR WEBSITE

FEATURES AND OPTIONS



ACCESSORIES



CODES

AL4050 JADE 16

| OPTICS | LED TYPE | FINISH | OPTION |
|--------------------|------------------------|-----------------------|------------------|
| NA Narrow | RN RGB+W 4000K | W White RAL 9003 | PE Polar Edition |
| ME Medium | DW From 2700K to 6500K | G GRIVEN Grey | |
| WI Wide | CW Cold White 6500K | A Anthracite RAL 7016 | |
| EW Extra wide | NW Natural White 4000K | B Black RAL 9005 | |
| EL Elliptical | WW Warm White 3000K | | |
| WL Elliptical Wide | | | |

NOTES

Unless an RDM compatible control is used, JADE 16 must always be purchased with AL1321 Infrared Remote Control. More JADE 16 units can be controlled with one AL1321.

TECHNICAL SPECIFICATIONS

JADE 16 is an IP66 compact spot light, whose aluminium body hosts 16 high brightness RGBW, Dynamic White, Cold White, Natural White, Warm White or, on request, monochrome power LEDs. Dimensions: 160 mm x 95 mm x 194 mm. Available in DMX, automatic and Master-Slave mode, it also features RFU (Remote firmware update) and RDM (Remote device management) functions. Unless an RDM compatible control is used, one Infrared Remote Control AL1321 must always be purchased for one or more JADE 16 units in order to access DMX addressing, stand-alone operations and DMX channels configurations. Power supply: standard 100÷277V / 50-60Hz. Power consumption: 0.4A @ 230V / 38W max. An Electrical Class I appliance, it also features self-resetting fuse protection as well as integrated electronic thermal protection management. The Polar Edition, fitted with an integrated de-icing system with electrically heated glass, is available on request. Operating temperature: -40°C to 50°C (-40°F to 122°F).

DIGITAL CONTROL SYSTEM SPECIFICATIONS AND CONFIGURATIONS AVAILABLE ON OUR WEBSITE



RUSSIA_Sverdlovsk State Academic Philharmonic, Ekaterinburg



JADE 9

FAÇADE LIGHTING

A must for the finest outdoor accent lighting, **JADE 9**, a rounded compact spotlight featuring in-built electronics and power supply unit, harmoniously enhances specific architectural elements, boosting their peculiar features with differently shaped optics outputs.

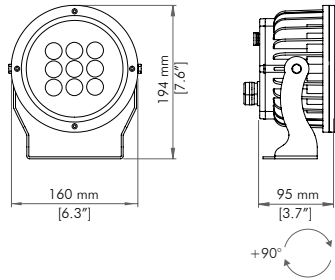


J A D E 9

GRIVEND

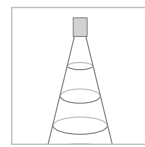
JADE 9

GRIVEND 



BEAM ANGLE REFERENCE

| RGB | | WHITE LIGHT | |
|-----------------|---------|-----------------|---------|
| SPOT | 7° | SPOT | 12° |
| NARROW | 11° | NARROW | 15° |
| MEDIUM | 21° | MEDIUM | 25° |
| WIDE | 41° | WIDE | 47° |
| EXTRA WIDE | 68° | EXTRA WIDE | 61° |
| ELLIPTICAL | 9°x41° | ELLIPTICAL | 14°x31° |
| ELLIPTICAL WIDE | 30°x38° | ELLIPTICAL WIDE | 23°x37° |



MAX OUTPUT
2415 lm
(SP CW configuration)

PHOTOMETRIC DETAILS AVAILABLE ON OUR WEBSITE

FEATURES AND OPTIONS



ACCESSORIES



CODES

AL5030 JADE 9

OPTICS

SP Spot
NA Narrow
ME Medium
WI Wide
EW Extra wide
EL Elliptical
WL Elliptical Wide

LED TYPE

RG RGB
CW Cold White 6500K
NW Natural White 4000K
WW Warm White 3000K

FINISH

W White RAL 9003
G GRIVEN Grey
A Anthracite RAL 7016
B Black RAL 9005

NOTES

JADE 9 must always be purchased with AL1321 Infrared Remote Control. More JADE 9 units can be controlled with one AL1321.

TECHNICAL SPECIFICATIONS

JADE 9 is an IP66 compact spotlight, whose aluminium body hosts 9 high brightness RGB, Cold White, Natural White, Warm White or, on request, monochrome power LEDs. Dimensions: 160 mm x 95 mm x 194 mm. Available in DMX, automatic and Master-Slave mode. One Infrared Remote Control AL1321 must always be purchased for one or more JADE 9 units in order to access DMX addressing, stand-alone operations and DMX channels configurations. Power supply: standard 100÷277V / 50-60Hz. Power consumption: 0.2A @ 230V / 23W max. An Electrical Class I appliance, it also features integrated electronic thermal protection management. Operating temperature: -40°C to 50°C (-40°F to 122°F).

DIGITAL CONTROL SYSTEM SPECIFICATIONS AND CONFIGURATIONS AVAILABLE ON OUR WEBSITE



RUSSIA_Bogatyr Hotel Complex, Sochi



MICRO-CLIP MC/MK2 W

FAÇADE LIGHTING

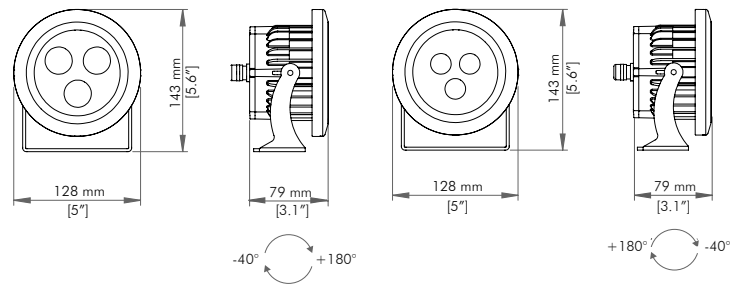
Featuring high efficiency RGBW or tunable white multichip LEDs, **MICRO-CLIP MC** is an ultra compact spotlight ideal for spot lighting, exterior decoration effects and a vast choice of applications owing to its multiple beam angles options and full orientation pan and tilt mounting positions. An on-off version, **MICRO-CLIP MK2 W** is available in both cold and warm white light to meet any design specification.



MICRO-CLIP MC/MK2 W

MICRO-CLIP MC/MK2 W

GRIVEND



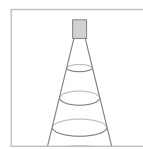
BEAM ANGLE REFERENCE

RGBW-DW

| | |
|--------|-----|
| NARROW | 14° |
| MEDIUM | 28° |
| WIDE | 40° |

WHITE LIGHT

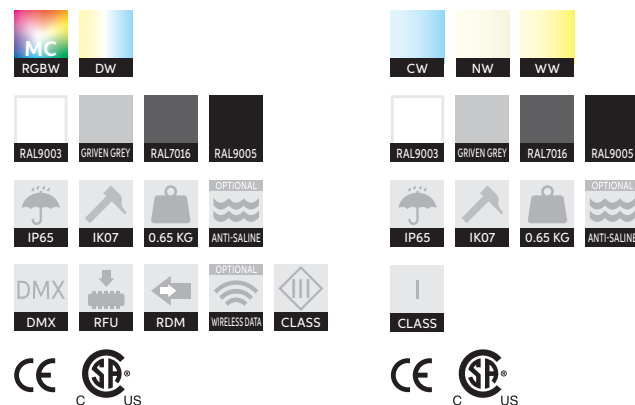
| | |
|-----------------|---------|
| SPOT | 12° |
| NARROW | 15° |
| MEDIUM | 25° |
| WIDE | 47° |
| EXTRA WIDE | 61° |
| ELLIPTICAL | 14°x39° |
| ELLIPTICAL WIDE | 23°x37° |



MAX OUTPUT
725 lm
(SP CW configuration)

PHOTOMETRIC DETAILS AVAILABLE ON OUR WEBSITE

FEATURES AND OPTIONS



ACCESSORIES



CODES

AL5240 MICRO-CLIP MC

OPTICS

NA Narrow
ME Medium
WI Wide

LED TYPE

RN RGB+W 4000K
DW From 2700K to 6500K

FINISH

W White RAL 9003
G GRIVEN Grey
A Anthracite RAL 7016
B Black RAL 9005

AL5241 MICRO-CLIP MK2 W

OPTICS

SP Spot
NA Narrow
ME Medium
WI Wide
EW Extra wide
EL Elliptical
WL Elliptical Wide

LED TYPE

CW Cold White 6500K
NW Natural White 4000K
WW Warm White 3000K

FINISH

W White RAL 9003
G GRIVEN Grey
A Anthracite RAL 7016
B Black RAL 9005

NOTES

Unless an RDM control is used, MICRO-CLIP MC must always be purchased with one AL2660 WeeZerd 1 to set its DMX address. The MC version requires an external power supply unit (up to 12 fittings). The white version is fitted with integrated power supply unit and does not feature DMX options.

TECHNICAL SPECIFICATIONS

MICRO-CLIP MC is an IP65 ultra compact spotlight, whose aluminium body hosts 3 high brightness RGBW or Dynamic White multichip power LEDs. Dimensions: 128 mm x 79 mm x 143 mm. Available in remote DMX mode, it also features RFU (Remote firmware update) and RDM (Remote device management) functions. Power supply: 48V DC. Power consumption: 13.5W. An Electrical Class III appliance featuring integrated electronic thermal control management, it works with an IP67 separate power supply unit (100÷277V / 50-60Hz) with self-resetting fuse protection. Operating temperature: -40°C to 50°C (-40°F to 122°F).

MICRO-CLIP MK2 W is an IP65 ultra compact spotlight, whose aluminium body hosts 3 high brightness Cold White, Natural White or Warm White power LEDs. Dimensions: 128 mm x 79 mm x 143 mm. Power supply: standard 100÷277V / 50-60Hz. Power consumption: 6.9W per unit with in-built power supply. Electrical Class I. Operating temperature: -20°C to 40°C (-4°F to 104°F).

DIGITAL CONTROL SYSTEM SPECIFICATIONS AND CONFIGURATIONS AVAILABLE ON OUR WEBSITE



RUSSIA_Moscow City Hall, Moscow



MICRO-CLIP XQ

FAÇADE LIGHTING

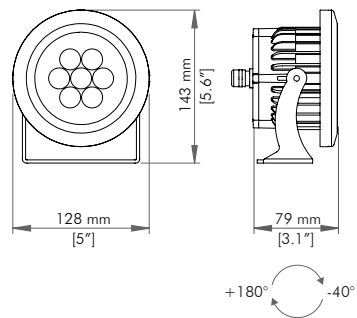
MICRO-CLIP XQ is a super compact spotlight fitted with seven highly performing white LEDs coupled with ultra spot lenses for an extremely narrow light beam. Its extraordinary luminous efficacy allows to enhance architectural details, such as columns or vertical shafts, with flawless wall grazing effects. **MICRO-CLIP XQ** is available in cold, natural and warm white light versions, as well as in monochrome releases on request, to meet any design specification.



MICRO-CLIP XQ

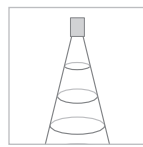
MICRO-CLIP XQ

GRIVEND 



BEAM ANGLE REFERENCE

ULTRA SPOT 4.2°



MAX OUTPUT
1147 lm
(US CW configuration)

PHOTOMETRIC DETAILS AVAILABLE ON OUR WEBSITE

FEATURES AND OPTIONS



ACCESSORIES



AL4125
SNOOT



AL4126
VISOR



AL8215
120 mm FIXING BRACKET



AL8216
200 mm FIXING BRACKET



AL8217
300 mm FIXING BRACKET

CODES

AL5230 MICRO-CLIP XQ

OPTICS

US Ultra spot

LED TYPE

CW Cold White 6500K
NW Natural White 4000K
WW Warm White 3000K

FINISH

W White RAL 9003
G GRIVEN Grey
A Anthracite RAL 7016
B Black RAL 9005

TECHNICAL SPECIFICATIONS

MICRO-CLIP XQ is an IP65 ultra compact spotlight, whose aluminium body hosts 7 high brightness Cold White, Natural White or Warm White power LEDs. Dimensions: 128 mm x 79 mm x 143 mm. Power supply: standard 100÷277V / 50-60Hz. Power consumption: 0.06A @ 230VAC / 13.5W per unit with in-built power supply. Electrical Class I. Operating temperature: -20°C to 50°C (-4°F to 122°F).







LINEAR WALL GRAZING

LINEAR MODULES

Newly engineered to meet the widest application range, the PARADE L flagship series is capable of delivering amazing wall grazing performances with an even light distribution.

Its independent pixel version has been specifically developed for the creation of dynamic visual concepts on large-scale architectural spaces, where low-resolution video files or graphic patterns can be displayed to generate eye-catching lighting shows.

Fitted with more compact housings, the mid-power microPARADE and nanoPARADE models assure maximum design flexibility as well as surprising effects. Reduced size and lightweight manageability ensure easy comfortable installation.

Offering colour changing, white, tunable white or on request, monochrome configurations, and available in different lengths, these surface mount linear modules offer utmost adaptability to different project prerequisites. Featuring outdoor use IP rating, each model is available also in CSA certified version.



PARADE L-1 L-2 L-3 L-4

LINEAR MODULES

Available in four different lengths for maximum modular efficacy, the newly engineered **PARADE L** features unquestionably powerful luminous flux with real uniform colour coverage even on close-up installations for truly powerful wall grazing enhancement especially on large-scale architectural elements. The new assortment of premium class RGBW LEDs, now featuring 4000K natural white, delivers the widest range of chromatic combinations. Cold white, warm white, tunable white or, on request, single-colour configurations, complement a versatile selection of linear solutions. Responding to the most innovative lighting design needs, the independent pixel version has been specifically developed to create dynamic visual concepts on large-scale architectural spaces, where video animation or graphic patterns can be displayed to generate an eye-catching lighting show.

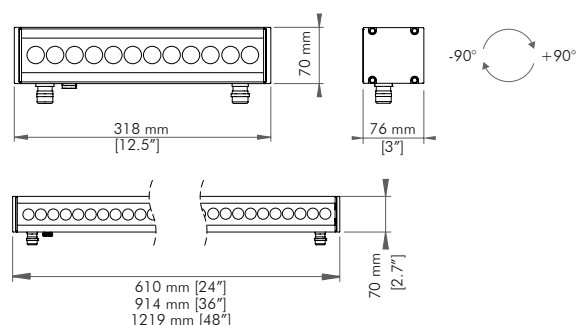


PARADE L-1 L-2 L-3 L-4

GRIVEN 

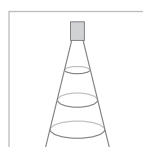
PARADE L-1 L-2 L-3 L-4

GRIVEND



BEAM ANGLE REFERENCE

| RGBW | | WHITE LIGHT | |
|-----------------|---------------------|-----------------|---------------------|
| SPOT | 7° | SPOT | 12° |
| NARROW | 11° | NARROW | 15° |
| MEDIUM | 21° | MEDIUM | 25° |
| WIDE | 43° | WIDE | 48° |
| EXTRA WIDE | 69° | EXTRA WIDE | 59° |
| ELLIPTICAL | 9°x41° | ELLIPTICAL | 14°x39° |
| ELLIPTICAL WIDE | 20°x38° | ELLIPTICAL WIDE | 23°x38° |
| WALL WASH | 13°(5° incline)x37° | WALL WASH | 19°(5° incline)x38° |



MAX OUTPUT
7560 lm
(SP CW configuration)

PHOTOMETRIC DETAILS AVAILABLE ON OUR WEBSITE

FEATURES AND OPTIONS



ACCESSORIES



AL5058 C START LINE BOX
(with connectors)

AL5058 M START LINE BOX
(without connectors)

AL5167 C REPOWER BOX
(with connectors)

AL5167 M REPOWER BOX
(without connectors)

AL5059 C DMX JUNCTION
BOX (with connectors)

AL5059 M DMX JUNCTION
BOX (without connectors)



AL5096 VISOR L-1

AL5097 VISOR L-2

AL5098 VISOR L-3

AL5099 VISOR L-4



AL5055 80mm BRACKETS

AL5056 160mm BRACKETS

AL5057 260mm BRACKETS



AL5103 SNOOT L-1

AL5104 SNOOT L-2

AL5105 SNOOT L-3

AL5106 SNOOT L-4



AL5174 BEEHIVE L-1

AL5175 BEEHIVE L-2

AL5176 BEEHIVE L-3

AL5177 BEEHIVE L-4



AL8264 1 m CONNECTION CABLE

AL8265 2 m CONNECTION CABLE

AL8266 3 m CONNECTION CABLE

AL8267 5 m CONNECTION CABLE

AL8268 10 m CONNECTION CABLE



AL5169
DMX TERMINATOR



AL1321 INFRARED
REMOTE CONTROL

CODES

AL5060 PARADE L-1

AL5061 PARADE L-1 PE

AL5070 PARADE L-3

AL5071 PARADE L-3 PE

AL5065 PARADE L-2

AL5066 PARADE L-2 PE

AL5075 PARADE L-4

AL5076 PARADE L-4 PE

OPTICS

SP Spot
NA Narrow
ME Medium
WI Wide
EW Extra wide
EL Elliptical
WL Elliptical Wide
WW Wall Wash

LED TYPE

RN RGB+W 4000K
DW From 2700K to 6500K
CW Cold White 6500K
NW Natural White 4000K
WW Warm White 3000K

CONTROL SYSTEM

R DMX-RDM
S Self-addressing
D DALI
I Independent Pixels

FINISH

W White RAL 9003
G GRIVEN Grey
A Anthracite RAL 7016
B Black RAL 9005

CABLE TYPE

C Monocable with connectors
M Monocable without connectors

NOTES

One Infrared Remote Control AL1321 must always be purchased for DMX/RDM and independent pixels versions, unless an RDM compatible control is used. More PARADE L units can be controlled with one AL1321. PARADE L must always be purchased with fixing brackets (see accessories).

TECHNICAL SPECIFICATIONS

The linear bars of the PARADE L series are high luminance IP67 linear modules, whose extruded aluminium body hosts either 12, 24, 36 or 48 high brightness RGBW or Dynamic White LEDs or 6, 12, 18 or 24 Cold White, Natural White, Warm White or, on request, monochrome power LEDs. Dimensions: 318/610/914/1219 mm x 76 mm x 70 mm. Available in DMX, Automatic and Master-Slave mode, they also feature RFU (Remote Firmware Update) and RDM (Remote Device Management) functions. Self-addressing, DALI or Independent Pixel control available on request. One Infrared Remote Control AL1321 must always be purchased in order to access DMX addressing, stand-alone operations and DMX channels configurations for DMX/RDM and Independent Pixels versions, unless an RDM compatible control is used. Power supply: standard 100÷277V / 50-60Hz. Power consumption: L-1 0.097A @ 230V / 21W max. L-2 0.19A @ 230V / 42W max. L-3 0.28A @ 230V / 63W max. L-4 0.37A @ 230V / 84W max. An Electrical Class I appliance, it also features self-resetting fuse protection as well as integrated electronic thermal protection management. The Polar Edition, fitted with an integrated de-icing system with electrically heated glass, is available on request. Operating temperature: -40°C to 50°C (-40°F to 122°F).

DIGITAL CONTROL SYSTEM SPECIFICATIONS AND CONFIGURATIONS AVAILABLE ON OUR WEBSITE





microPARADE

LINEAR MODULES

microPARADE is an extremely compact modular bar, ideal for wall grazing effects owing to its specifically developed modular optics groups. Available with 12, 24 or 36 mid-power LEDs, this linear profile delivers optimal efficacy and reliability beside a richer alternative of intense and bright colour hues. Housing in-built electronics and power supply unit, its lightweight chassis allows comfortable outdoor installations on balconies, windows or façades where a reduced mounting space drastically limits the range of suitable products.

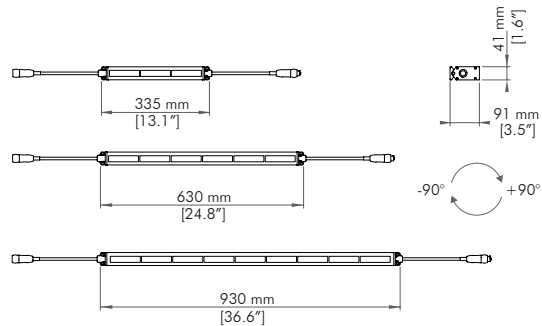


microPARADE

GRIVEN 

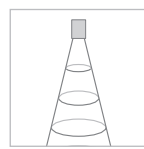
microPARADE

GRIVEND 



BEAM ANGLE REFERENCE

ELLIPTICAL 35°x93°
WALL WASH 23°(5° incline)x98°



MAX OUTPUT
2926 lm
(WW CW configuration)

PHOTOMETRIC DETAILS AVAILABLE ON OUR WEBSITE

FEATURES AND OPTIONS



ACCESSORIES



AL5058 C START LINE BOX
(with connectors)
AL5058 M START LINE BOX
(without connectors)



AL5167 C REPOWER BOX
(with connectors)
AL5167 M REPOWER BOX
(without connectors)



AL5059 C DMX JUNCTION
BOX (with connectors)
AL5059 M DMX JUNCTION
BOX (without connectors)



AL8264 1 m CONNECTION CABLE
AL8265 2 m CONNECTION CABLE
AL8266 3 m CONNECTION CABLE
AL8267 5 m CONNECTION CABLE
AL8268 10 m CONNECTION CABLE



AL2660
WEEZERD 1



AL5168
LINE END CAP



AL5169
DMX TERMINATOR

CODES

AL4362 microPARADE 12

AL4363 microPARADE 24

AL4364 microPARADE 36

OPTICS

EL Elliptical
WW Wall Wash

LED TYPE

RN RGB+W 4000K
DW From 2700K to 6500K
CW Cold White 6500K
NW Natural White 4000K
WW Warm White 3000K

FINISH

W White RAL 9003
G GRIVEN Grey
A Anthracite RAL 7016
B Black RAL 9005

OPTION

M Fitted with in and out
DMX and power cables
C Fitted with in and out
DMX and power cables
and connectors

NOTES

Unless an RDM control is used, microPARADE must always be purchased with one AL2660 WeeZerd 1 to set its DMX address.

TECHNICAL SPECIFICATIONS

microPARADE is an extremely compact IP67 bar specific for wall grazing effects, whose extruded aluminium body hosts either 12, 24 or 36 high brightness RGBW, Dynamic White, Cold White, Natural White, Warm White or, on request, monochrome power LEDs. Dimensions: 335/630/930 mm X 41 mm x 91 mm. Available in DMX, automatic and Master-Slave mode, it also features RFU (Remote firmware update), RDM (Remote device management), functions. Unless an RDM compatible control is used, microPARADE must always be purchased with AL2660 WeeZerd 1 to set its DMX address. Power supply: standard 100÷277V / 50-60Hz. Power consumption: microPARADE 12: 0.11A @ 230V / 11W ca. microPARADE 24: 0.17A @ 230V / 19W ca. microPARADE 36: 0.23A @ 230V / 28W ca. An Electrical Class I appliance, it also features self-resetting fuse protection as well as integrated electronic thermal protection management. Operating temperature: -20°C to 50°C (-4°F to 122°F).

DIGITAL CONTROL SYSTEM SPECIFICATIONS AND CONFIGURATIONS AVAILABLE ON OUR WEBSITE



CHECHEN REPUBLIC, RUSSIA_The Pride of Muslims Mosque, Shali



nanoPARADE

LINEAR MODULES

Featuring micro-sized profile and lightweight manageability, **nanoPARADE** is the ideal solution for easy outdoor installation on balconies, windows or façades where a reduced mounting space drastically limits the range of suitable products. With an optimal light output efficacy, different length choices and a density of 50 LEDs per metre, more units can be comfortably set-up for creative accent and linear lighting design.

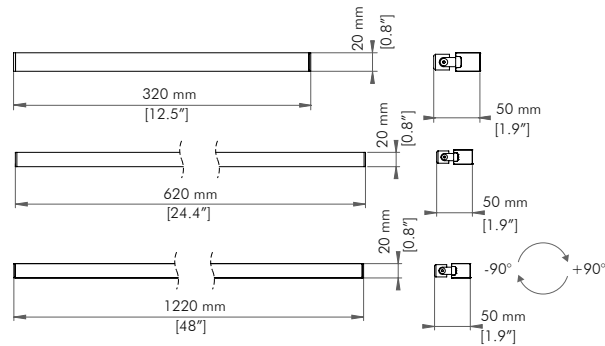


n a n o P A R A D E

GRIVEN 

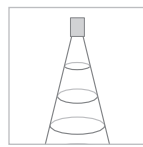
nanoPARADE

GRIVEND 



BEAM ANGLE REFERENCE

ALL VERSIONS 120°



MAX OUTPUT
936 lm
(12 CW configuration)

PHOTOMETRIC DETAILS AVAILABLE ON OUR WEBSITE

FEATURES AND OPTIONS



ACCESSORIES



CODES

AL4484 nanoPARADE

| LENGTH | LED TYPE | OPTION |
|------------|------------------------|--|
| 03 320 mm | RG RGB | A Active (only for RGB versions) |
| 06 620 mm | DW From 2700K to 6500K | P Passive |
| 12 1220 mm | CW Cold White 6500K | A In and out power and DMX cables and connectors |
| | NW Natural White 4000K | B In and out power and DMX cables |
| | WW Warm White 3000K | S Standard fixing |
| | | L Fixing bracket for 03 |
| | | F Fixing bracket for 06/12 |

NOTES

Unless an RDM control is used, nanoPARADE must always be purchased with one AL2660 WeeZerd 1 to set its DMX address.

TECHNICAL SPECIFICATIONS

Available in three different lengths, nanoPARADE is an IP67 ultra compact linear profile, whose extruded anodized aluminium body hosts high brightness RGB, Dynamic White, Cold White, Natural White, Warm White or, on request, monochrome power LEDs. LEDs density: 50/m. Dimensions: 320 mm/620 mm /1220 mm x 20 mm x 50 mm. Available in DMX, automatic and Master-Slave mode, it also features RDM (Remote device management) function. Unless an RDM control is used, nanoPARADE must always be purchased with one AL2660 WeeZerd 1 to set its DMX address. Power supply: 24Vdc. Power consumption: RGB 0.6A/m, 14.4 W/m, WHITE: 0.45A/m, 10W/m. An Electrical Class III appliance, it also features integrated electronic thermal protection management. Operating temperature: -10°C to 50°C (14°F to 158°F).

DIGITAL CONTROL SYSTEM SPECIFICATIONS AND CONFIGURATIONS AVAILABLE ON OUR WEBSITE



Typical product installation





RECESSED APPLICATIONS

LINEAR MODULES

These cutting-edge in-ground mounting linear modules of the PARADE L RECESSED series boast an extraordinarily efficient light output and have been conceived to conveniently blend in heterogeneous architectural environments.

The amazing wall washing and wall grazing effects delivered offer homogeneous photometric distribution even on close-up installations and a comprehensive portfolio of powerful and versatile RGBW, pure white, tunable white or, on request, monochrome combinations features full design adaptability.

The independent pixel optional version displays eye-catching lighting shows through the dynamic rendering of any graphic pattern or visual animation.

Suitable for applications in pedestrian areas, the MOLED series provides micro-shaped linear solutions for pathways signalling, parks and public spaces enhancement, where the IP67 rating, in a seamless flush-mount, robust and stylish module, guarantees enduring exterior performance.



PARADE L-2 L-3 RECESSED

LINEAR MODULES

PARADE L-2 and **L-3 RECESSED** feature superb output and real uniform colour coverage purposely on close-up installations. Their modular, super flux, high luminance and versatile optical configuration delivers perfect wall grazing effects for in-ground applications. The new assortment of premium class RGBW LEDs, now featuring 4000K natural white, offers the widest range of chromatic combinations. Cold white, warm white, tunable white or, on request, single-colour selections, complement a versatile choice of linear solutions. The independent-pixel optional version displays eye-catching lighting shows through the dynamic rendering of any graphic pattern or visual animation. Thanks to the IP67 weather protection, the integrated electronic power supply and the quick plug&play set-up, this newly engineered luminaire series is a cutting-edge solution for comfortable and durable recessed use in pedestrian areas.

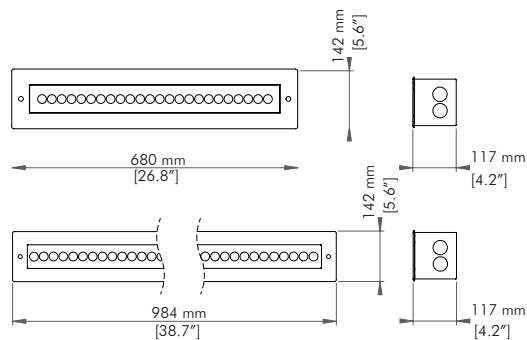


PARADE L-2 L-3 RECESSED

GRIVEN 

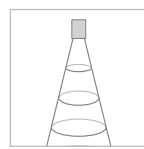
PARADE L RECESSED

GRIVEND 



BEAM ANGLE REFERENCE

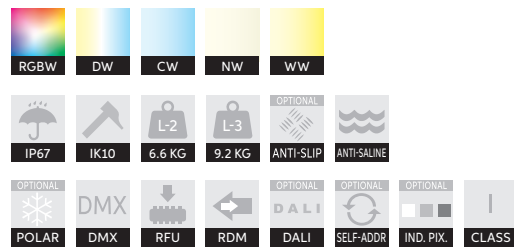
| RGBW | | WHITE LIGHT | |
|-----------------|---------------------|-----------------|---------------------|
| SPOT | 7° | SPOT | 12° |
| NARROW | 11° | NARROW | 15° |
| MEDIUM | 21° | MEDIUM | 25° |
| WIDE | 43° | WIDE | 48° |
| EXTRA WIDE | 69° | EXTRA WIDE | 59° |
| ELLIPTICAL | 9°x41° | ELLIPTICAL | 14°x39° |
| ELLIPTICAL WIDE | 20°x38° | ELLIPTICAL WIDE | 23°x38° |
| WALL WASH | 13°(5° incline)x37° | WALL WASH | 19°(5° incline)x38° |



MAX OUTPUT
5670 lm
(SP CW configuration)

PHOTOMETRIC DETAILS AVAILABLE ON OUR WEBSITE

FEATURES AND OPTIONS



ACCESSORIES



AL5168
LINE END CAP



AL1321
INFRARED REMOTE CONTROL



AL5169
DMX TERMINATOR



AL5175 BEEHIVE ANTIGLARE L-2
AL5176 BEEHIVE ANTIGLARE L-3



AL5058C START LINE BOX
(with connector)
AL5058M START LINE BOX
(without connector)



AL5059C DMX JUNCTION BOX
(with connector)
AL5059M DMX JUNCTION BOX
(without connector)



AL5167C REPOWER BOX
(with connector)
AL5167M REPOWER BOX
(without connector)



AL8264 1 m CONNECTION CABLE
AL8265 2 m CONNECTION CABLE
AL8266 3 m CONNECTION CABLE
AL8267 5 m CONNECTION CABLE
AL8268 10 m CONNECTION CABLE

CODES

AL5068 PARADE L-2 RECESSED

AL5073 PARADE L-3 RECESSED

| OPTICS | LED TYPE | CONTROL SYSTEM | CABLE TYPE |
|--------------------|------------------------|----------------------|--------------------|
| SP Spot | RN RGB+W 4000K | R DMX-RDM | C Monocable |
| NA Narrow | DW From 2700K to 6500K | S Self-addressing | with connectors |
| ME Medium | CW Cold White 6500K | D DALI | M Monocable |
| WI Wide | NW Natural White 4000K | I Independent pixels | without connectors |
| EW Extra wide | WW Warm White 3000K | | |
| EL Elliptical | | | |
| WL Elliptical Wide | | | |
| WW Wall Wash | | | |

OPTION

P Polar Edition

NOTES

One Infrared Remote Control AL1321 must always be purchased for DMX/RDM and independent pixels versions, unless an RDM compatible control is used. More PARADE L Recessed units can be controlled with one AL1321.

TECHNICAL SPECIFICATIONS

PARADE L-2 and L-3 RECESSED are modular, super flux, high luminance in-ground IP67 linear LED bars, whose extruded aluminium body fitted with stainless steel flange and formwork hosts either 24 or 36 high brightness RGBW or Dynamic White, 12 and 24 Cold White, Natural White, Warm White or, on request, monochrome power LEDs. Dimensions: 680/984 mm x 142 mm x 107 mm. Available in DMX, Automatic and Master-Slave mode, they also feature RFU (Remote Firmware Update) and RDM (Remote Device Management) functions. Self-addressing, DALI or Independent Pixel versions available on request. One Infrared Remote Control AL1321 must always be purchased in order to access DMX addressing, stand-alone operations and DMX channels configurations for DMX/RDM and Independent Pixels versions, unless an RDM compatible control is used. Power supply: standard 100÷277V / 50-60Hz. Power consumption: L-2 RGBW 0.19A @ 230V / 42W max, L-2 W 0.18A @ 230V / 40W max, L-3 RGBW 0.28A @ 230V / 63W max, L-3 W 0.27A @ 230V / 60W max. An Electrical Class I appliance, it also features self-resetting fuse protection as well as integrated electronic thermal protection management. The Polar Edition, fitted with an integrated de-icing system with electrically heated glass, is available on request. Operating temperature: -40°C to 50°C (-40°F to 122°F).

DIGITAL CONTROL SYSTEM SPECIFICATIONS AND CONFIGURATIONS AVAILABLE ON OUR WEBSITE





MOLED 25 50

LINEAR MODULES

Suitable for applications in pedestrian areas, the MOLED series provides micro-shaped linear solutions for pathways signalling, parks and public spaces enhancement, where the IP67 rating, in a seamless flush-mount, robust and stylish module, guarantees enduring exterior performance. Combinations of multiple **MOLED 25** or **50** modules, available with an RGB multichip, white, tunable white or, on request, monochrome versions, can be comfortably set-up with invariable pixel pitch for a uniform visual pattern layout also with angle installations.

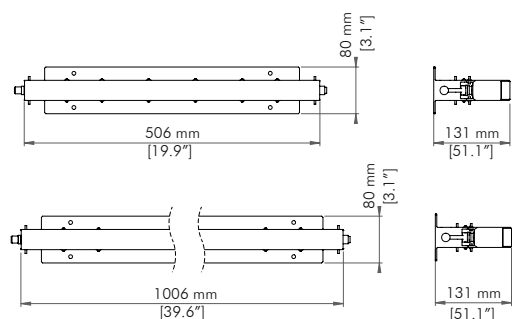


MOLED 25 50

GRIVEND 

MOLED 25 50

GRIVEND 



PHOTOMETRIC DETAILS AVAILABLE ON OUR WEBSITE

CODES

AL4369 MOLED 25

AL4370 MOLED 50

| OPTICS | LED TYPE | CONTROL SYSTEM |
|------------------|------------------------|-------------------|
| GO Opaline glass | RG RGB | R DMX-RDM |
| | DW From 2700K to 6500K | S Self-addressing |
| | CW Cold White 6500K | |
| | NW Natural White 4000K | |
| | WW Warm White 3000K | |

NOTES

One Weezerd 1 AL2660 must always be purchased for DMX-RDM version, unless an RDM compatible control is used. More MOLED units can be controlled with one AL2660.

FEATURES AND OPTIONS



ACCESSORIES



AL2121 IP67 START LINE BOX
AL2122 IP67 REPOWER BOX



AL4473 DMX TERMINATOR
(for RDM versions)



AL4462
ELBOW ARRAY FIXING



AL2012 1 m CONNECTION CABLE
AL2015 2 m CONNECTION CABLE
AL2017 3 m CONNECTION CABLE
AL2055 5 m CONNECTION CABLE
AL2019 10 m CONNECTION CABLE



AL4454 FORMWORK
END CAP



AL4450
ELECTRONIC DRIVER



AL4453
LINE END CAP



AL2660
WEEZERD 1

TECHNICAL SPECIFICATIONS

MOLED 25 and 50 are in-ground LED profiles, whose IP67 AISI 316L stainless steel housing hosts either 50 or 100 high brightness RGB, Dynamic White, Cold White, Natural White, Warm White or, on request, monochrome power LEDs. Dimensions: 506/1006 mm x 80 mm x 131 mm. Available in DMX mode, they also feature RFU (Remote firmware update) and RDM (Remote device management) functions. Self-addressing control available on request. One Weezerd 1 AL2660 must always be purchased in order to access DMX addressing and channels configuration for DMX/RDM versions, unless an RDM compatible control is used. Power supply: 48Vdc. Power Consumption: 18 W/m. Power chain max: 16 MOLED 25 with 240W power supply (AL4450). 8 MOLED 50 with 240W power supply (AL4450). An Electrical Class III appliance, it also features integrated electronic thermal protection management. Operating temperature: -40°C to 50°C (-40°F to 122°F).

DIGITAL CONTROL SYSTEM SPECIFICATIONS AND CONFIGURATIONS AVAILABLE ON OUR WEBSITE



Typical product installation



RECESSED APPLICATIONS

ROUND SHAPED FIXTURES

Dynamically blending with many different architectural environments, these cutting-edge in-ground mounting round shaped uplighters boast an extraordinarily functional light output. This portfolio of efficient colour changing solutions features alternatively white or monochrome LEDs versions for full design adaptability. The new combination of premium class RGBW LEDs, featuring 4000K natural white, delivers the widest range of warm white shades and pastel tones assortment. Flexible planning is further enhanced by a wide choice of high build design optics making the range ideal for spot lighting and wall washing with uniform colour coverage purposely on close-up installations. With a 2000 Kg deadweight capacity featured by almost all the fittings, this series is suitable for recessed applications even in vehicular areas. The IP67 rating guarantees robust and enduring exterior installation.



DUNE MC

RECESSED APPLICATIONS

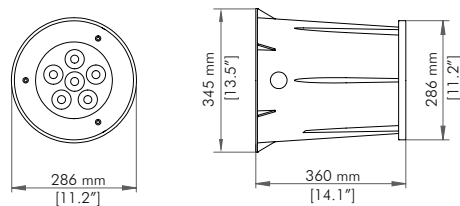
Fitted with powerful multichip LEDs and featuring a smart beam angle orientation adjustment, **DUNE MC** is an IP67 highly performing LED fixture ideal for spot lighting and wall washing effects in exterior recessed applications. The 2000 Kg deadweight load capacity makes it suitable for in-ground applications even in vehicular areas.



DUNE MC

DUNE MC

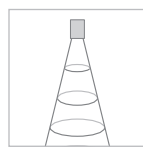
GRIVEND 



+/- 10° TILT

BEAM ANGLE REFERENCE

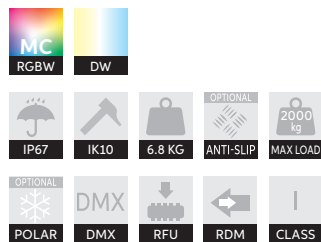
| | |
|--------|-----|
| SPOT | 7° |
| NARROW | 10° |
| MEDIUM | 23° |
| WIDE | 35° |



MAX OUTPUT
1395 lm
(SP DW configuration)

PHOTOMETRIC DETAILS AVAILABLE ON OUR WEBSITE

FEATURES AND OPTIONS



ACCESSORIES



AL1321 INFRARED
REMOTE CONTROL



AL8203 ANTIGLARE
(only for white light versions)

CODES

AL5242 DUNE MC

OPTICS

SP Spot
NA Narrow
ME Medium
WI Wide

LED TYPE

RN RGB+W 4000K
DW From 3000K to 6500K

OPTION

PE Polar Edition

NOTES

Unless an RDM compatible control is used, DUNE MC must always be purchased with AL1321 Infrared Remote Control. More DUNE MC units can be controlled with one AL1321.

TECHNICAL SPECIFICATIONS

DUNE MC is an IP67 in-ground luminaire, whose die cast aluminium body fitted with AISI 316L stainless steel flange hosts 6 high brightness RGBW or Dynamic White multichip power LEDs. Dimensions: Ø 286/345 mm x 360 mm depth. Available in DMX, automatic and Master-Slave mode, it also features RFU (Remote firmware update) and RDM (Remote device management) functions. Unless an RDM compatible control is used, one Infrared Remote Control AL1321 must always be purchased for one or more DUNE MC units in order to access DMX addressing, stand-alone operations and DMX channels configurations. Power supply: standard 100÷277V / 50-60Hz. Power consumption: 0.4A @ 230V / 45W max. An Electrical Class I appliance, it also features self-resetting fuse protection as well as integrated electronic thermal protection management. A 2000 Kg deadweight load capacity makes it suitable for ground mounting applications even in vehicular areas. Beam angle orientation adjustment of +/- 10° (TILT). The Polar Edition, fitted with an integrated de-icing system with electrically heated glass, is available on request. Operating temperature: -40°C to 50°C (-40°F to 122°F).

DIGITAL CONTROL SYSTEM SPECIFICATIONS AND CONFIGURATIONS AVAILABLE ON OUR WEBSITE



IRELAND_Phoenix Column, Dublin



DUNE MK2

RECESSED APPLICATIONS

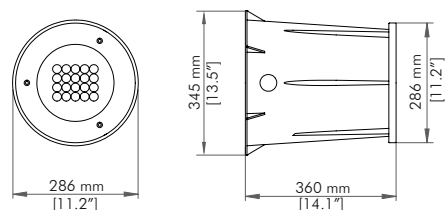
With its IP67 rating and beam angle orientation adjustment, **DUNE MK2** is a highly performing LED light fixture specifically designed for exterior recessed applications. The 2000 Kg deadweight load capacity makes it suitable for ground mounting applications even in vehicular areas.



DUNE MK2

DUNE MK2

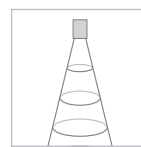
GRIVEND 



+/- 10° TILT

BEAM ANGLE REFERENCE

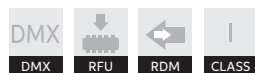
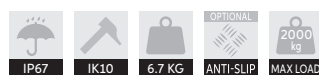
| RGBW | | WHITE LIGHT | |
|-----------------|---------|-----------------|---------|
| SPOT | 7° | SPOT | 12° |
| NARROW | 12° | NARROW | 15° |
| MEDIUM | 21° | MEDIUM | 25° |
| WIDE | 43° | WIDE | 47° |
| EXTRA WIDE | 66° | EXTRA WIDE | 61° |
| ELLIPTICAL | 11°x40° | ELLIPTICAL | 14°x39° |
| ELLIPTICAL WIDE | 20°x40° | ELLIPTICAL WIDE | 23°x37° |



MAX OUTPUT
3046 lm
(SP CW configuration)

PHOTOMETRIC DETAILS AVAILABLE ON OUR WEBSITE

FEATURES AND OPTIONS



ACCESSORIES



AL1321 INFRARED
REMOTE CONTROL



AL8203 ANTIGLARE
(only for white light versions)

CODES

AL4850 DUNE MK2

OPTICS

SP Spot
NA Narrow
ME Medium
WI Wide
EW Extra wide
EL Elliptical
WL Elliptical Wide

LED TYPE

RN RGB+W 4000K
DW From 2700K to 6500K
CW Cold White 6500K
NW Natural White 4000K
WW Warm White 3000K

NOTES

Unless an RDM compatible control is used, DUNE MK2 must always be purchased with AL1321 Infrared Remote Control. More DUNE MK2 units can be controlled with one AL1321.

TECHNICAL SPECIFICATIONS

DUNE MK2 is an IP67 in-ground luminaire, whose die cast aluminium body fitted with AISI 316L stainless steel flange hosts 20 high brightness RGBW, Dynamic white, Cold White, Natural White, Warm White or, on request, monochrome power LEDs. Dimensions: Ø 286/345 mm x 360 mm depth. Available in DMX, automatic and Master-Slave mode, it also features RFU (Remote firmware update) and RDM (Remote device management) functions. Unless an RDM compatible control is used, one Infrared Remote Control AL1321 must always be purchased for one or more DUNE MK2 units in order to access DMX addressing, stand-alone operations and DMX channels configurations. Power supply: standard 100÷277V / 50-60Hz. Power consumption: 0.27A @ 230V / 29W max. An Electrical Class I appliance, it also features self-resetting fuse protection as well as integrated electronic thermal protection management. A 2000 Kg deadweight load capacity makes it suitable for ground mounting applications even in vehicular areas. Beam angle orientation adjustment of +/- 10° (TILT). Operating temperature: -40°C to 50°C (-40°F to 122°F).

DIGITAL CONTROL SYSTEM SPECIFICATIONS AND CONFIGURATIONS AVAILABLE ON OUR WEBSITE





336-337
236-237
135

338-340
238
136-138

RUBY MCR

RECESSED APPLICATIONS

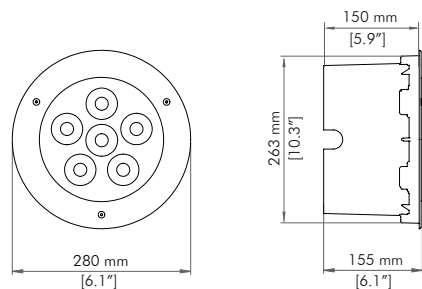
Featuring shallow recessed depth for a comfortable in-ground installation, **RUBY MC R** is a highly performing uplighter, fitted with powerful multichip LEDs, specifically designed for exterior recessed applications. This compact IP67 rated light fitting features a 2000 Kg deadweight load capacity that makes it suitable for ground mounting applications even in vehicular areas.



RUBY MCR

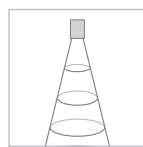
RUBY MC R

GRIVEND 



BEAM ANGLE REFERENCE

| | |
|--------|-----|
| SPOT | 7° |
| NARROW | 10° |
| MEDIUM | 23° |
| WIDE | 34° |



MAX OUTPUT
1767 lm
(SP DW configuration)

PHOTOMETRIC DETAILS AVAILABLE ON OUR WEBSITE

FEATURES AND OPTIONS



ACCESSORIES



AL1321 INFRARED
REMOTE CONTROL



AL8203 ANTIGLARE
(only for white light versions)

CODES

AL5248 RUBY MC R

OPTICS

SP Spot
NA Narrow
ME Medium
WI Wide

LED TYPE

RN RGB+W 4000K
DW From 3000K to 6500K

OPTION

PE Polar Edition

NOTES

Unless an RDM compatible control is used, RUBY MC R must always be purchased with AL1321 Infrared Remote Control. More RUBY MC R units can be controlled with one AL1321.

TECHNICAL SPECIFICATIONS

RUBY MC R is an IP67 in-ground luminaire, whose die cast aluminium body fitted with AISI 316L stainless steel flange hosts 6 high brightness RGBW or Dynamic White multichip power LEDs. Dimensions: Ø 280/263 mm x 155/150 mm depth. Available in DMX, automatic and Master-Slave mode, it also features RFU (Remote firmware update) and RDM (Remote device management) functions. Unless an RDM compatible control is used, one Infrared Remote Control AL1321 must always be purchased for one or more RUBY MC R units in order to access DMX addressing, stand-alone operations and DMX channels configurations. Power supply: standard 100÷277V / 50-60Hz. Power consumption: 0.26A @ 230V / 58W max. An Electrical Class I appliance, it also features self-resetting fuse protection as well as integrated electronic thermal protection management. A 2000 Kg deadweight load capacity makes it suitable for ground mounting applications even in vehicular areas. The Polar Edition, fitted with an integrated de-icing system with electrically heated glass, is available on request. Operating temperature: -40°C to 50°C (-40°F to 122°F).

DIGITAL CONTROL SYSTEM SPECIFICATIONS AND CONFIGURATIONS AVAILABLE ON OUR WEBSITE



HUNGARY_Puskás Arena, Budapest

CATFISH AND
THE BOTTLEMEN
SEPT 29

ELVIS COSTELLO & THE
THEATRE OF TRAGEDY

ATTHEATRE

RUBY R

RECESSED APPLICATIONS

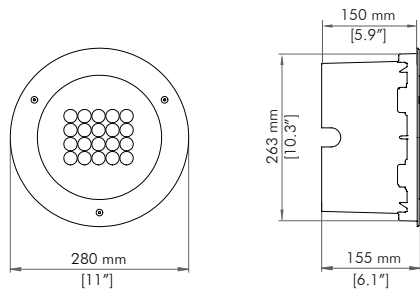
Specifically designed for exterior recessed applications, **RUBY R** is a highly performing LED fixture featuring shallow recessed depth for a comfortable in-ground installation. A 2000 Kg deadweight load capacity makes this compact IP67 rated unit suitable for ground mounting applications even in vehicular areas.



RUBY R

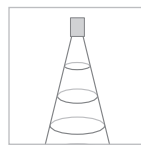
RUBY R

GRIVEND 



BEAM ANGLE REFERENCE

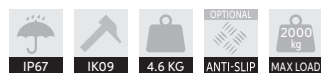
| RGBW | | WHITE LIGHT | |
|-----------------|----------------------|-----------------|----------------------|
| SPOT | 7° | SPOT | 12° |
| NARROW | 11° | NARROW | 15° |
| MEDIUM | 21° | MEDIUM | 25° |
| WIDE | 43° | WIDE | 47° |
| EXTRA WIDE | 69° | EXTRA WIDE | 61° |
| ELLIPTICAL | 9°x41° | ELLIPTICAL | 14°x39° |
| ELLIPTICAL WIDE | 20°x38° | ELLIPTICAL WIDE | 23°x37° |
| WALL WASH | 14°(16° incline)x37° | WALL WASH | 24°(16° incline)x63° |



MAX OUTPUT
3781 lm
(SP CW configuration)

PHOTOMETRIC DETAILS AVAILABLE ON OUR WEBSITE

FEATURES AND OPTIONS



ACCESSORIES



AL1321 INFRARED
REMOTE CONTROL



AL8203 ANTIGLARE
(only for white light versions)

CODES

AL4992 RUBY R

OPTICS

| | |
|--------------------|------------------------|
| SP Spot | RN RGB+W 4000K |
| NA Narrow | DW From 2700K to 6500K |
| ME Medium | CW Cold White 6500K |
| WI Wide | NW Natural White 4000K |
| EW Extra wide | WW Warm White 3000K |
| EL Elliptical | |
| WL Elliptical Wide | |
| WW Wall Wash | |

LED TYPE

NOTES

Unless an RDM compatible control is used, RUBY R must always be purchased with AL1321 Infrared Remote Control. More RUBY R units can be controlled with one AL1321.

TECHNICAL SPECIFICATIONS

RUBY R is an IP67 in-ground luminaire, whose die cast aluminium body fitted with AISI 316L stainless steel flange hosts 20 high brightness RGBW, Dynamic white, Cold White, Natural White, Warm White or, on request, monochrome power LEDs. Dimensions: Ø 280/263 mm x 155/150 mm depth. Available in DMX, automatic and Master-Slave mode, it also features RFU (Remote firmware update) and RDM (Remote device management) functions. Unless an RDM compatible control is used, one Infrared Remote Control AL1321 must always be purchased for one or more RUBY R units in order to access DMX addressing, stand-alone operations and DMX channels configurations. Power supply: standard 100÷277V / 50-60Hz. Power consumption: 0.17A @ 230V / 36W max. An Electrical Class I appliance, it also features self-resetting fuse protection as well as integrated electronic thermal protection management. A 2000 Kg deadweight load capacity makes it suitable for ground mounting applications even in vehicular areas. Operating temperature: -40°C to 50°C (-40°F to 122°F).

DIGITAL CONTROL SYSTEM SPECIFICATIONS AND CONFIGURATIONS AVAILABLE ON OUR WEBSITE

BASTILLE

SEPT 21



SATHURNO

RECESSED APPLICATIONS

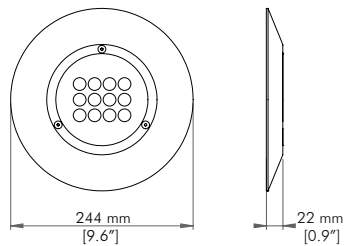
An ultra compact light fitting for spot lighting and wall grazing effects, **SATHURNO** is a highly performing LED uplighter specifically designed for exterior applications in areas where in-ground installation is not possible or required. Suitable for pedestrian areas, its thin, yet robust chassis allows a comfortable ground positioning.



SATHURNO

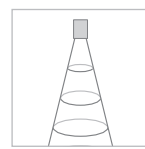
SATHURNO

GRIVEND 



BEAM ANGLE REFERENCE

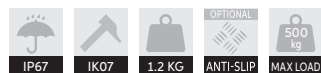
| | |
|-----------------|--------------------------|
| NARROW | 12° |
| MEDIUM | 27° |
| WIDE | 51° |
| EXTRA WIDE | 55° |
| ELLIPTICAL | 34°x11° |
| ELLIPTICAL WIDE | 30°x51° |
| WALL WASH | 35° (13° incline) x 106° |



MAX OUTPUT
1512 lm
(NA CW configuration)

PHOTOMETRIC DETAILS AVAILABLE ON OUR WEBSITE

FEATURES AND OPTIONS



ACCESSORIES



AL4322
IP65 DMX LED DRIVER



AL4380 IP20 DMX-DALI CONVERTER
(only for W versions)



AL4326
IP20 DMX LED DRIVER



AL4324 IP20 DALI LED DRIVER
(only for W versions)

CODES

AL4320 SATHURNO

OPTICS

NA Narrow
ME Medium
WI Wide
EW Extra wide
EL Elliptical
WL Elliptical Wide
WW Wall Wash

LED TYPE

RN RGB+W 4000K
DW From 2700K to 6500K
CW Cold White 6500K
NW Natural White 4000K
WW Warm White 3000K

FINISH

W White RAL 9003
G GRIVEN Grey
A Anthracite RAL 7016
B Black RAL 9005

TECHNICAL SPECIFICATIONS

SATHURNO is an IP67 surface mount luminaire, whose die cast aluminium body hosts 12 high brightness RGBW, Cold White, Natural White, Warm White or, on request, monochrome power LEDs. Dimensions: Ø 244 mm x 22 mm. Available in DMX, automatic and Master-Slave mode, it also features RDM (Remote device management) function. Power supply: RGBW versions: separate LED driver powering up to 3 units (IP65 AL4322 100÷277V – 50-60 Hz or IP20 AL4326 24Vdc). Monochrome versions : separate LED driver powering up to 1 unit (AL4324 100÷277V - 50-60 Hz). Power consumption: 21W max. Electrical Class III. A 500 Kg deadweight load capacity makes it suitable for ground mounting applications in pedestrian areas. 10m power supply cable included. Operating temperature: -40°C to 50°C (-40°F to 122°F).

DIGITAL CONTROL SYSTEM SPECIFICATIONS AND CONFIGURATIONS AVAILABLE ON OUR WEBSITE





MICRO-DUNE MC/MK2 W

RECESSED APPLICATIONS

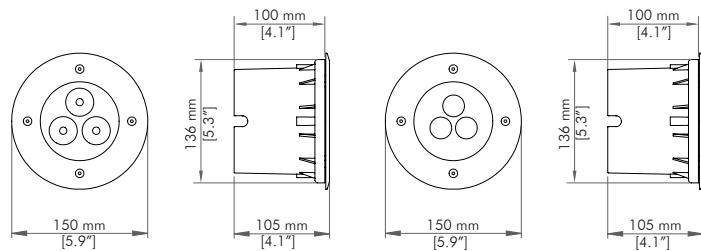
Recently upgraded with high brightness RGBW or tunable white multichip LEDs, **MICRO-DUNE MC** is a super compact IP67 rated uplighter specifically engineered for exterior recessed use also in vehicular areas. Delivering a distinctive light output for directive application or decorative lighting patterns creation, it harmoniously blends with the surrounding architectural environment providing discreetly essential solutions. An on-off version, **MICRO-DUNE MK2 W** is available in both cold and warm white light to meet any design specification. A 3000 Kg deadweight load capacity makes it suitable for ground mounting applications even in vehicular areas.



M I C R O - D U N E M C / M K 2 W

MICRO-DUNE MC/MK2 W

GRIVEND 

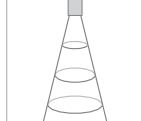


BEAM ANGLE REFERENCE

RGBW-DW

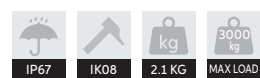
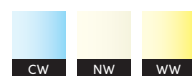
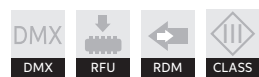
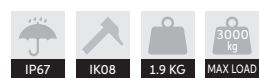
| | |
|--------|-----|
| NARROW | 14° |
| MEDIUM | 28° |
| WIDE | 40° |

WHITE LIGHT

| | | |
|-----------------|---------|--|
| SPOT | 7° |  |
| NARROW | 11° | |
| MEDIUM | 20° | |
| WIDE | 38° | |
| EXTRA WIDE | 68° | |
| ELLIPTICAL | 10°x39° | |
| ELLIPTICAL WIDE | 20°x38° | (SP CW configuration) |

PHOTOMETRIC DETAILS AVAILABLE ON OUR WEBSITE

FEATURES AND OPTIONS



ACCESSORIES



AL8213 IP67 SEPARATE ELECTRONIC DRIVER (only for RGBW versions)



AL2660 WEEZERD 1



AL8261 ANTIGLARE (only for monochrome versions)

CODES

AL5243 MICRO-DUNE MC

OPTICS LED TYPE

| | |
|-----------|------------------------|
| NA Narrow | RN RGB+W 4000K |
| ME Medium | DW From 2700K to 6500K |
| WI Wide | |

AL5244 MICRO-DUNE MK2 W

OPTICS LED TYPE

| | |
|--------------------|------------------------|
| SP Spot | CW Cold White 6500K |
| NA Narrow | NW Natural White 4000K |
| ME Medium | WW Warm White 3000K |
| WI Wide | |
| EW Extra wide | |
| EL Elliptical | |
| WL Elliptical Wide | |

NOTES

Unless an RDM control is used, MICRO-DUNE MC must always be purchased with one AL2660 WeeZerd 1 to set its DMX address. The RGBW and DW versions require an external power supply unit. The white version is fitted with integrated power supply unit and does not feature DMX options.

TECHNICAL SPECIFICATIONS

MICRO-DUNE MC is an IP67 ultra compact recessed uplighter, whose die cast aluminium case fitted with stainless steel flange hosts 3 high brightness RGBW or tunable white multichip power LEDs. Dimensions: Ø 150/136 mm x 105/100 mm depth. Available in remote DMX mode, it also features RFU (Remote firmware update) and RDM (Remote device management) functions. Power supply: 48V DC. Power consumption: 13.5W. An Electrical Class III appliance, it works with an IP67 separate electronic driver featuring self-resetting fuse protection, powering up to 12 units. Integrated electronic thermal control management. A 3000 Kg deadweight load capacity makes it suitable for ground mounting applications even in vehicular areas. Operating temperature: -40°C to 40°C (-40°F to 104°F).

MICRO-DUNE MK2 W is an IP67 ultra compact recessed uplighter whose die cast aluminium case fitted with stainless steel flange hosts 3 high brightness Cold White, Natural White or Warm White power LEDs. Dimensions: Ø 150/136 mm x 105/100 mm depth. Power supply: 100±277V / 50-60Hz. Power consumption: 6.9W per unit. An Electrical Class I appliance, it features an in-built power supply. A 3000 Kg deadweight load capacity makes it suitable for ground mounting applications even in vehicular areas. Operating temperature: -20°C to 40°C (-4°F to 104°F).

DIGITAL CONTROL SYSTEM SPECIFICATIONS AND CONFIGURATIONS AVAILABLE ON OUR WEBSITE





MICRO-DUNE XQ

RECESSED APPLICATIONS

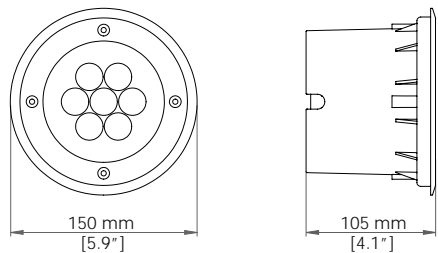
MICRO-DUNE XQ is a super compact in-ground uplighter fitted with seven highly performing white LEDs coupled with ultra spot lenses for an extremely narrow light beam. Its extraordinary luminous efficacy allows to enhance architectural details, such as columns or vertical shafts of large dimensions, with flawless wall grazing effects. **MICRO-DUNE XQ** is available in cold, natural and warm white light versions, as well as in monochrome releases on request, to meet any design specification. Featuring an IP67 weather protection rating and a 3000 kg deadweight load capacity, **MICRO-DUNE XQ** is suitable for ground mounting applications even in vehicular areas.



M I C R O - D U N E X Q

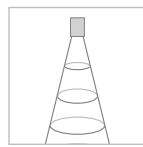
MICRO-DUNE XQ

GRIVEND 



BEAM ANGLE REFERENCE

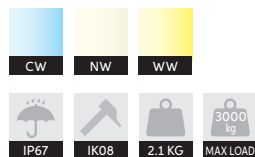
ULTRA SPOT 4.2°



MAX OUTPUT
1147 lm
(US CW configuration)

PHOTOMETRIC DETAILS AVAILABLE ON OUR WEBSITE

FEATURES AND OPTIONS



ACCESSORIES



AL8261 ANTIGLARE
(only for monochrome versions)

CODES

AL5219 MICRO-DUNE XQ

OPTICS

US Ultra spot

LED TYPE

CW Cold White 6500K
NW Natural White 4000K
WW Warm White 3000K

TECHNICAL SPECIFICATIONS

MICRO-DUNE XQ is an IP67 ultra compact recessed uplighter, whose die cast aluminium body fitted with stainless steel flange hosts 7 high brightness Cold White, Natural White or Warm White power LEDs. Monochrome LEDs on request. Dimensions: Ø 150/136 mm x 105/100 mm depth. Power supply: 100÷277V / 50-60Hz. Power consumption: 0.06A @ 230VAC / 13.4W per unit. An Electrical Class I appliance, it features an in-built power supply. A 3000 Kg deadweight load capacity makes it suitable for ground mounting applications even in vehicular areas. Operating temperature: -20°C to 40°C (-4°F to 104°F).





MID BANK

OPEN 7 DAYS

GREGGS

D

ATHOMO

RECESSED APPLICATIONS

ATHOMO is a recessed walk-on LED uplighter for exterior and interior use delivering a distinctive light output for directive application or decorative lighting patterns creation. Available in IP67 and IP68 versions featuring stainless steel flange and scratch-resistant glass, this discreetly essential solution enhances durable dynamic interaction with the surrounding architectural environment and functional orientation signalling.

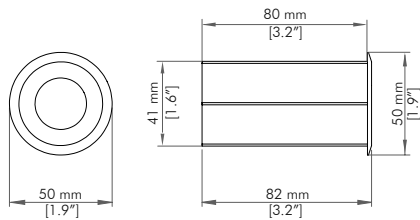


ATHOMO

GRIVEND

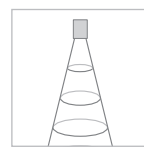
ATHOMO

GRIVEND 



BEAM ANGLE REFERENCE

| RGB | | WHITE | |
|--------|-----|--------|-----|
| MEDIUM | 21° | NARROW | 7° |
| WIDE | 48° | MEDIUM | 15° |
| | | WIDE | 33° |



MAX OUTPUT
119 lm
(NA CW configuration)

PHOTOMETRIC DETAILS AVAILABLE ON OUR WEBSITE

FEATURES AND OPTIONS



ACCESSORIES

FOR RGB VERSIONS



AL2882 IP20 RGB DMX
POWER SUPPLY
SIZE 225x60x36mm - 36W

FOR WHITE LIGHT VERSIONS



AL2703 IP20 CONSTANT CURRENT
POWER SUPPLY - SIZE 180x32x32mm - 24W



AL2705 IP20 CONSTANT CURRENT
POWER SUPPLY - SIZE 74x35x21mm - 6W



AL2704 IP20 CONSTANT CURRENT
POWER SUPPLY - SIZE 165x40x25mm - 20W

CODES

AL2942 ATHOMO RGB (IP67)

AL2946 ATHOMO RGB (IP68)

OPTICS LED TYPE

ME Medium RG RGB
WI Wide

AL2940 ATHOMO W (IP67)

AL2944 ATHOMO W (IP68)

OPTICS LED TYPE

NA Narrow CW Cold White 6500K
ME Medium NW Natural White 4000K
WI Wide WW Warm White 3000K

TECHNICAL SPECIFICATIONS

ATHOMO is a recessed walk-on LED uplighter, whose aluminium case and AISI 316L stainless steel flange (IP67) or AISI 316L stainless steel case and flange (IP68 -1m) hosts 1 high brightness RGB multichip, Cold White, Natural White, Warm White or, on request, monochrome power LEDs. Dimensions: 50/41 mm x 82/80 mm depth. RGB: 350mA / 3.6W. Separate 350mA DMX power supply powering up to 8 units 36W 100÷277V (AL2882). WHITE LIGHT: 500mA / 1.7W. Separate 500mA constant current power supply (2÷3 units) 6W 100÷277V (AL2705). Separate 500mA constant current power supply (4÷11 units) 20W 220÷240VAC (AL2704). Separate 500mA constant current power supply (4÷14 units) 24W 220÷240VAC dimmable 0÷10V or by button (AL2703). Electrical Class III. Operating temperature: -20°C to 40°C (-4°F to 104°F).

DIGITAL CONTROL SYSTEM SPECIFICATIONS AND CONFIGURATIONS AVAILABLE ON OUR WEBSITE







MULTIMEDIA PIXEL LIGHTING

Engineered for multimedia pixel applications, these RGBW, RGB, white light or, on request, monochrome fixtures offer a broad choice of versatile solutions for the creation of dynamic, life inspirational visual concepts. A comprehensive range of fully weatherised single spot units and modular linear profiles feature self-addressing assignment and instant, independent control over each pixel. Such technologically advanced products, with terrific application flexibility for both surface mount and recessed use, can screen low-resolution video files or graphic patterns, utterly transforming architectural spaces and, when combined with other media, generating a brand new interactive entertainment.



GRAPH-i-CELL

MULTIMEDIA PIXEL LIGHTING

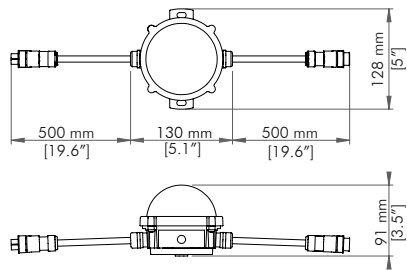
Fitted with a dome shaped opaline diffuser for a sharp image rendition and an optimal peripheral visibility, this high brightness single pixel fixture can be easily assembled with other units of its kind to screen low-resolution video files and graphic patterns. **GRAPH-i-CELL** can be integrated with the existing architecture while shaping a brand new outstanding ambience.



GRAPH-I-CELL

GRAPH-i-CELL

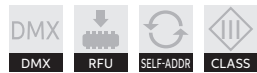
GRIVEN 



PHOTOMETRIC DETAILS AVAILABLE ON OUR WEBSITE

FEATURES AND OPTIONS

GRAPH-i-CELL 3



GRAPH-i-CELL 4



ACCESSORIES



AL8250
IP67 START LINE BOX



AL8251
IP67 REPOWER BOX



AL5168
LINE END CAP



AL8253 1 m CONNECTION CABLE
AL8254 2 m CONNECTION CABLE
AL8255 3 m CONNECTION CABLE
AL8256 5 m CONNECTION CABLE
AL8269 10 m CONNECTION CABLE



AL8271
IP67 ELECTRONIC DRIVER



AL8270
DMX JUNCTION BOX

CODES

AL4505 GRAPH-i-CELL 3

| OPTICS | LED TYPE | FINISH |
|-----------------|------------------------|-----------------------|
| DO Opaline dome | RG RGB | W White RAL 9003 |
| | CW Cold White 6500K | G GRIVEN Grey |
| | NW Natural White 4000K | A Anthracite RAL 7016 |
| | WW Warm White 3000K | B Black RAL 9005 |

AL4506 GRAPH-i-CELL 4

| OPTICS | LED TYPE | FINISH |
|-----------------|------------------------|-----------------------|
| DO Opaline dome | RN RGB+W 4000K | W White RAL 9003 |
| | DW From 2700K to 6500K | G GRIVEN Grey |
| | | A Anthracite RAL 7016 |
| | | B Black RAL 9005 |

TECHNICAL SPECIFICATIONS

GRAPH-i-CELL 3 is an IP65 high brightness single pixel fixture, whose aluminium and opaline polymer body hosts either 6 RGB, Cold White, Natural White, Warm White or, on request, monochrome power LEDs. GRAPH-i-CELL 4 is an IP65 high brightness single pixel fixture, whose aluminium and opaline polymer body hosts either 4 RGBW or Dynamic White power LEDs. Dimensions: 130 mm x 128 mm x 91 mm. Available in DMX remote control mode, it also features RFU (Remote firmware update) function. Self-addressing feature for digital data assignment with signal regeneration. 20 modules per line maximum. Luminance: 11200 cd/m². Pixel pitch: 130 mm (minimum). Resolution: 49 pixel/m² (maximum). Separate IP65 electronic driver box (AL4405/02 for max. 20 units) 100÷277V / 50-60 Hz. LED module 48V DC. Power consumption: 13W maximum (1 module full RGB/RGBW). Electrical class: III. Operating temperature: -30°C to 40°C (-22°F to 104°F).

DIGITAL CONTROL SYSTEM SPECIFICATIONS AND CONFIGURATIONS AVAILABLE ON OUR WEBSITE



VIETNAM | Nguyen Van Linh Intersection Bridge, Hai Phong



GRAPH-i-DOT

MULTIMEDIA PIXEL LIGHTING

GRAPH-i-DOT is a highly performing compact module fitted with six multichip LEDs for ultra-luminous display of low-resolution video files and graphic patterns for an endless creation of dynamic visual concepts. Featuring pixel pitch adjustment and outdoor rated configuration, even for underwater applications in its flat lens version, **GRAPH-i-DOT** is also available with alternative opaline dome to enable maximum installation adaptability and design flexibility.

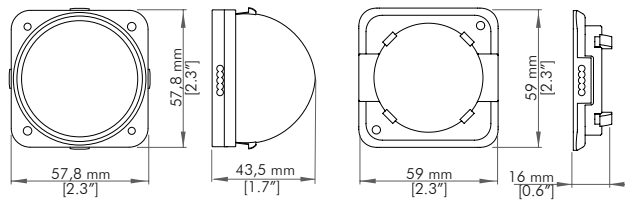


GRAPH-I-DOT

GRIVEND 

GRAPH-i-DOT

GRIVEND 



CODES

AL4700 GRAPH-i-DOT

OPTICS

FL Flat clear diffuser
DO Opaline dome

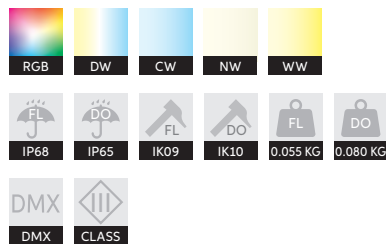
LED TYPE

RG RGB
DW From 2700K to 6500K
CW Cold White 6500K
NW Natural White 4000K
WW Warm White 3000K

NOTES

GRAPH-i-DOT must always be purchased with AL4707 Address setting DMX driver to set the DMX address. More GRAPH-i-DOT units can be addressed with one AL4707.

FEATURES AND OPTIONS



ACCESSORIES



AL4702
ELECTRONIC DRIVER



AL4706
TERMINATOR



AL8211
MULTI-JOINT



AL8208 START LINE
AL8209 REPOWER T-JOINT



AL4707 ADDRESS
SETTING DMX DRIVER



AL4708
ROPE FIXING PLATE



AL8210
SINGLE JOINT

TECHNICAL SPECIFICATIONS

GRAPH-i-DOT is an ultra compact single pixel fixture module (IP68 FL version, IP65 DO version), whose transparent plastic body hosts 6 mid-power RGB, Cold White, Natural White, Warm White or, on request, monochrome power LEDs. Available with flat clear diffuser or opaline dome. Dimensions: 59 mm x 16 mm x 59 mm, 57.8 mm x 43.5 mm x 57.8 mm (with dome). Available in DMX remote control mode. GRAPH-i-DOT must always be purchased with AL4707 Address setting DMX driver to set the DMX address. More GRAPH-i-DOT units can be addressed with one AL4707. IP65 separate electronic driver. Power supply: Electronic driver 100÷277V / 50-60Hz LED module 24V DC. Power consumption: 1.44 W (max intensity). Electrical class: III. Operating temperature: -40°C to 50°C (-40°F to 122°F).

DIGITAL CONTROL SYSTEM SPECIFICATIONS AND CONFIGURATIONS AVAILABLE ON OUR WEBSITE



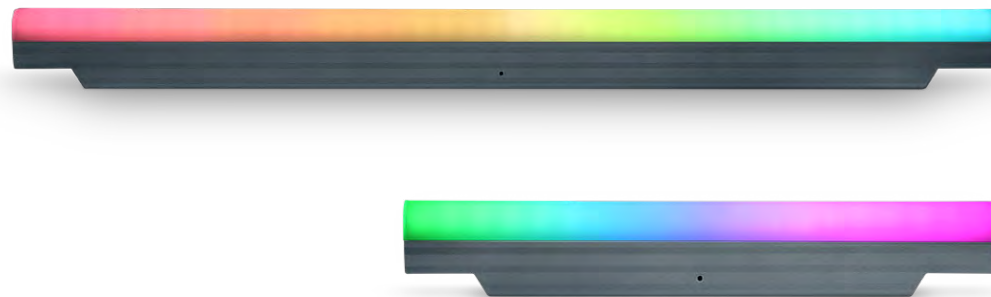
VIETNAM_Hoang Van Thu-Bridge, Hai Phong



GRAPH-i-LINE

MULTIMEDIA PIXEL LIGHTING

GRAPH-i-LINE 20 and 40 enable an endless layout of patterns and graphics for a rich and dynamic vibrant display. The variable adjustment of the pixel pitch resolution, enhanced by a choice of either a clear or an opaline diffuser for a peripheral or direct view selection, offers boundless design creativity. IK10 impact protection, IP66 ingress protection, RGBW, RGB, white, and, on request, monochrome configuration guarantee supreme design versatility.

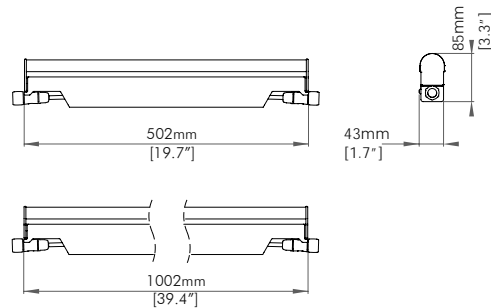


GRAPH-I-LINE

GRIVEND 

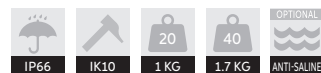
GRAPH-i-LINE

GRIVEND 



PHOTOMETRIC DETAILS AVAILABLE ON OUR WEBSITE

FEATURES AND OPTIONS



ACCESSORIES



AL8250
IP67 START LINE BOX



AL8251
IP67 REPOWER BOX



AL5168
LINE END CAP



AL8253 1 m CONNECTION CABLE
AL8254 2 m CONNECTION CABLE
AL8255 3 m CONNECTION CABLE
AL8256 5 m CONNECTION CABLE
AL8269 10 m CONNECTION CABLE



AL8271
IP67 ELECTRONIC DRIVER



AL8270
DMX JUNCTION BOX

CODES

AL5048 GRAPH-i-LINE 20

AL5049 GRAPH-i-LINE 40

OPTICS

DO Opaline diffuser
DC Clear diffuser

LED TYPE

RN RGB+W 4000K
RG RGB
CW Cold White 6500K
NW Natural White 4000K
WW Warm White 3000K

FINISH

W White RAL 9003
G GRIVEN Grey
A Anthracite RAL 7016
B Black RAL 9005

TECHNICAL SPECIFICATIONS

GRAPH-i-LINE is an IP66 high impact multi pixel led bar, whose polycarbonate body fitted with a PC opaline or transparent tube with UV protection hosts 20 or 40 high brightness, independent, RGBW, RGB, Cold White, Natural White, Warm White, and, on request, monochrome LEDs. Dimensions: 502/1002 mm x 45 mm x 85 mm. Available in DMX remote control mode, it features Remote firmware update (RFU). Self-addressing feature for digital data assignment with signal regeneration. Pixel pitch: 25x40 mm (minimum). Resolution: 1600 pixel / m2 (maximum). Power supply: 48Vdc. Power consumption: 18W/m. Power chain max: 32 Graph-i-Line 20 with 320W power supply (AL4405 02). 16 Graph-i-Line 40 with 320W power supply (AL4405 02). Electrical class: III. Operating temperature: -40°C to 50°C (-40°F to 122°F).

DIGITAL CONTROL SYSTEM SPECIFICATIONS AND CONFIGURATIONS AVAILABLE ON OUR WEBSITE



VIETNAM_Bach Lam Bridge, Yen Bai



GRAPH-i-PIX

MULTIMEDIA PIXEL LIGHTING

Featuring an independent 8-pixel configuration, **GRAPH-i-PIX** is capable of reproducing almost any graphic visual concept on large scale façades, where more modules can comfortably be set up for a uniform visual pattern layout. Striking direct-view advanced lighting solutions, coupled with the ultra-slim profile and the high-end ingress protection rating, **GRAPH-i-PIX** stands out for its functionality to blend with the existing architectural environment and meet the most challenging project prerequisites. By incorporating extraordinary pixel mapping features, with **GRAPH-i-PIX** designers will sculpt 3D elements and abstract imagery without creative limitations and solid artistic impact.

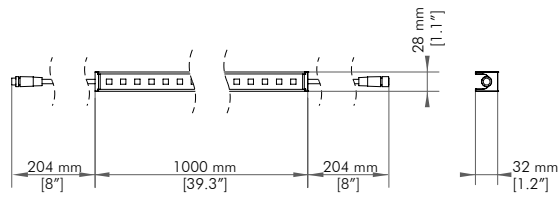


GRAPH-I-PIX

GRIVEND 

GRAPH-i-PIX

GRIVEND 



PHOTOMETRIC DETAILS AVAILABLE ON OUR WEBSITE

CODES

AL5220 GRAPH-i-PIX

OPTICS

GO Opaline glass
GC Clear glass

LED TYPE

RG RGB

NOTES

GRAPH-i-PIX must always be purchased with AL5250 Address setting DMX driver to set the DMX address. More GRAPH-i-PIX units can be addressed with one AL5250.

FEATURES AND OPTIONS



RGB



IP66



IK08



0.68 KG



DMX



RFU



CLASS



ACCESSORIES



AL5229 C IP67 START LINE BOX
(with cables and connectors)



AL5226
T-JUNCTION



AL5250
ADDRESS SETTING
DMX DRIVER



AL5221 1 m CONNECTION CABLE
AL5227 3 m CONNECTION CABLE
AL5222 5 m CONNECTION CABLE



AL8276
IP67 ELECTRONIC DRIVER



AL5229
START LINE CABLE



AL8277
SINGLE JOINT



AL8252
LINE END CAP

TECHNICAL SPECIFICATIONS

GRAPH-i-PIX is an IP66 ultra-slim, multi-pixel, LED linear module, whose aluminium body fitted either with opaline or transparent diffuser hosts 48 RGB LEDs. It features an independent 8-pixel configuration per metre, whereas each pixel is made up of 6 LEDs. Dimensions: 1000 mm x 28 mm x 32 mm. Available in DMX remote control mode. Pixel pitch (6 LEDs): 125 mm (minimum). Resolution: 280 pixels/m² (maximum). Luminance: 277778 cd/m². 110° optics distribution. Power supply: 24Vdc. Power consumption: 12W/m. 21 units max. per line. Electrical class: III. Operating temperature: -20°C to 50°C (-4°F to 122°F).

DIGITAL CONTROL SYSTEM SPECIFICATIONS AND CONFIGURATIONS AVAILABLE ON OUR WEBSITE



VIETNAM_Hoàng Văn Thụ Bridge, Hai Phong



MOLED GRAPHIC

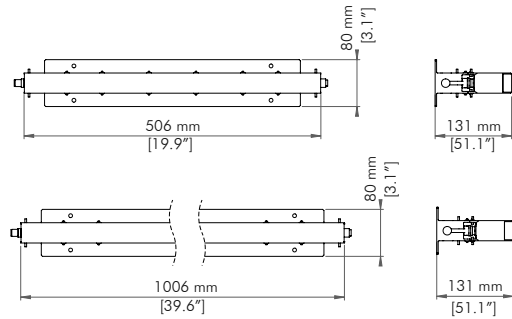
MULTIMEDIA PIXEL LIGHTING

MOLED GRAPHIC is a high impact linear profile for decorative and signalling in-ground use outdoors and indoors. Available either with 20 or 40 independent RGBW, RGB, white, and, on request, monochrome LEDs, **MOLED GRAPHIC** can enable an endless layout of patterns and graphics displays. Featuring extremely compact size, lightweight manageability, **MOLED GRAPHIC** is equipped with 19 mm thick tempered glass and AISI 316L stainless steel housing. This high-build standard housing is further strengthened by a special micro shot-peening treatment to make the light line homogeneous and the surface shock-resistant.



MOLED GRAPHIC

GRIVEND 



CODES

AL4367 MOLED GRAPHIC 20

AL4368 MOLED GRAPHIC 40

OPTICS

GO Opaline glass

LED TYPE

RN RGB+W 4000K

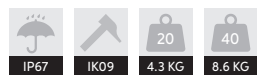
RG RGB

CW Cold White 6500K

NW Natural White 4000K

WW Warm White 3000K

FEATURES AND OPTIONS



ACCESSORIES



AL4454 FORMWORK END CAP

TECHNICAL SPECIFICATIONS

MOLED GRAPHIC is an IP67 high impact LED linear profile for in-ground use outdoors and indoors, whose stainless steel housing and formwork hosts 20 or 40 high brightness independent RGBW, RGB, Cold White, Natural White, Warm White, and, on request, monochrome LEDs. Available in DMX remote control mode, it features Remote firmware update (RFU) and RDM (Remote device management). Self-addressing feature for digital data assignment with signal regeneration. Dimensions: 1000 mm x 28 mm x 32 mm. Power supply: 48V DC. Power consumption: 18W/m. Power chain max: 16 Moled Graphic 20 with 240W power supply (AL4450); 8 Moled Graphic 40 with 240W power supply (AL4450). Electrical class: III. Operating temperature: -40°C to 50°C (-40°F to 122°F).

DIGITAL CONTROL SYSTEM SPECIFICATIONS AND CONFIGURATIONS AVAILABLE ON OUR WEBSITE



Typical product installation



A M A R I A N A
E T





IMAGE PROJECTION

This series offers multiple solutions to the most demanding application requirements in the global market of display projection. Company logos, promotional campaigns, graphic designs or decorative patterns can be easily projected, with a bright and accurate rendition, onto surfaces of almost any kind in the most diverse permanent outdoor and indoor locations.

Packed with groundbreaking LED technology, a broad choice of assorted light output capabilities and beam angle apertures, besides multiple effects and patterns, these image projectors offer maximum versatility, flexibility and dynamism to the most creative light planning integration.



GOBOLED 500

IMAGE PROJECTION

Packed with multiple effects, patterns and a motorized zoom, **GOBOLED 500** offers broad creative design integration for permanent exterior installations. Fitted with one high power LED, this cutting edge image projector delivers a bright and accurate rendition of graphic designs, logos and animations in outdoor and indoor locations.

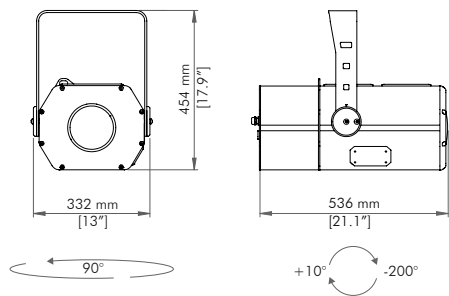


GOBOLED 500

GRIVENID

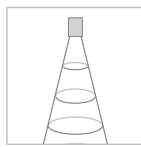
GOBOLED 500

GRIVEND 



BEAM ANGLE REFERENCE

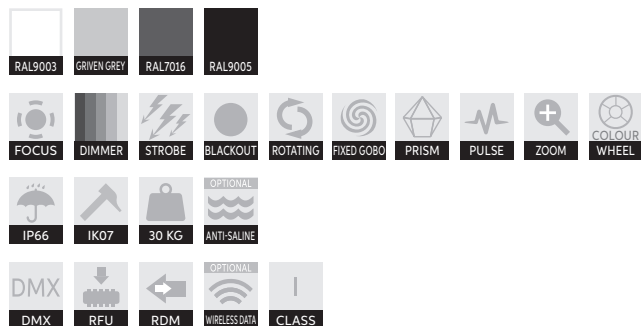
ZOOM 7°-37°



MAX OUTPUT
7° 9800 lm
37° 13837 lm

PHOTOMETRIC DETAILS AVAILABLE ON OUR WEBSITE

FEATURES AND OPTIONS



ACCESSORIES



AL0250
SAFETY CABLE

CODES

AL5170 GOBOLED 500

FINISH

W White RAL 9003
G GRIVEN Grey
A Anthracite RAL 7016
B Black RAL 9005

TECHNICAL SPECIFICATIONS

GOBOLED 500 is an IP66 image projector, whose aluminium body, fitted with an adjustable mounting yoke, hosts 1 high brightness 6500K power LED. Dimensions: 332 mm x 536 mm x 454 mm. Available in DMX, automatic and Master-Slave mode, it also features linear 0-100% dimmer, RFU (Remote firmware update), and RDM (Remote device management) functions. Additional features: 14 DMX channels; strobe function (27.7 FPS max); electronic blackout; motorized focus; 7°-37° motorized zoom; 7 interchangeable rotating gobos wheel (ø 27/22 mm); 16 bit indexing; 4 fixed gobos plus animation effect wheel; 8 colours + white wheel; 2 prisms with variable rotation (8 facets and 3D effect); pulse effect. Power supply: standard 100÷277V / 50-60Hz. Power consumption: 1A @ 230V / 450W. An Electrical Class I appliance, it features integrated electronic thermal protection management. Operating temperature: -30°C to 50°C (-22°F to 122°F).

DIGITAL CONTROL SYSTEM SPECIFICATIONS AND CONFIGURATIONS AVAILABLE ON OUR WEBSITE



CHECHEN REPUBLIC, RUSSIA_The Pride of Muslims, Mosque, Shal



GOBOLED 80 D

IMAGE PROJECTION

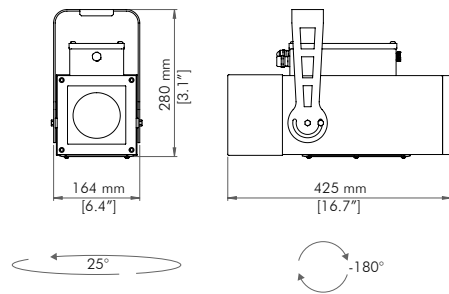
Projecting a bright and accurate rendition of graphic designs, logos and patterns in outdoor and indoor locations with the help of a dichroic or metal gobo, the versatile image projector **GOBOLED 80 D**, fitted with a single powerful LED, provides maximum creativity, dynamism and flexibility for the most demanding design and application requirements.



GOBOLED 80 D

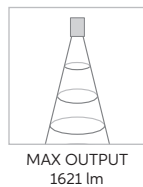
GOBOLED 80 D

GRIVEND 



BEAM ANGLE REFERENCE

PROJECTION ANGLE 20° ÷ 32°



PHOTOMETRIC DETAILS AVAILABLE ON OUR WEBSITE

FEATURES AND OPTIONS



ACCESSORIES



AL0250
SAFETY CABLE

CODES

AL2502 GOBOLED 80 D

FINISH

- W White RAL 9003
- G GRIVEN Grey
- A Anthracite RAL 7016
- B Black RAL 9005

TECHNICAL SPECIFICATIONS

GOBOLED 80 D is an IP65 image projector, whose aluminium body, fitted with an adjustable mounting yoke, hosts 1 high brightness 6500K power LED. Dimensions: 164 mm x 425 mm x 280 mm. Features: DMX, automatic and Master-Slave mode; manual adjustment of focus and linear zoom (20°÷32°); linear 0-100% dimmer function; strobe function (25 FPS max); electronic blackout; one rotating gobo slot hosts either metal or glass gobos (ø ext. 53.3 - ø int. 40 mm); one dichroic filter can also be used in combination with a metal gobo. Power supply: 100÷277V / 50-60Hz. Power consumption: 100W max. Electrical Class I. Operating temperature: -20°C to 40°C (-4°F to 104°F).

DIGITAL CONTROL SYSTEM SPECIFICATIONS AND CONFIGURATIONS AVAILABLE ON OUR WEBSITE







WATER FEATURES LIGHTING

Specifically designed for water features use, these avant-garde LED light fittings perfectly fulfill the latest market demand with capturing performances. With Full Dry IP68 rating and AISI 316L stainless steel housings, these submerged fixtures are the ideal choice for trustworthy and durable installation in fountains, waterfalls, reflecting pools and for many other underwater applications, even in chlorine water and marine environment. Available in colour changing, white and, on request, monochromatic LEDs configurations, these products combine extraordinary luminous efficiency with a vast optics selection for the most versatile design solutions, assured also by the different wattage, compactness and weight featured by the various models.



MAXI WATERLED

WATER FEATURES LIGHTING

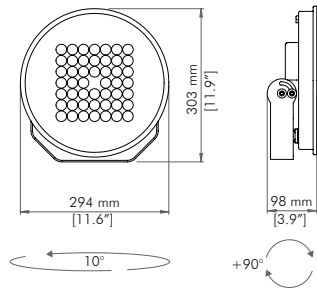
Providing an astonishingly performing light output, **MAXI WATERLED** is capable of enhancing wide scale underwater applications. With its AISI 316L stainless steel housing, it relies upon an IP68 protection rating and is the ideal choice for a huge variety of submerged installations even in chlorine water and marine environment. The new combination of premium class RGBW LEDs, featuring 4000K natural white, delivers the widest range of warm white shades and pastel tones assortment.



MAXI WATERLED

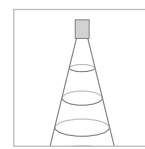
MAXI WATERLED

GRIVEND 



BEAM ANGLE REFERENCE

| RGBW | | WHITE LIGHT | |
|-----------------|---------|-----------------|---------|
| SPOT | 7° | SPOT | 12° |
| NARROW | 11° | NARROW | 15° |
| MEDIUM | 20° | MEDIUM | 25° |
| WIDE | 44° | WIDE | 47° |
| EXTRA WIDE | 68° | EXTRA WIDE | 61° |
| ELLIPTICAL | 10°x40° | ELLIPTICAL | 14°x39° |
| ELLIPTICAL WIDE | 21°x42° | ELLIPTICAL WIDE | 23°x37° |



PHOTOMETRIC DETAILS AVAILABLE ON OUR WEBSITE

FEATURES AND OPTIONS



ACCESSORIES



AL3981 IP65 TRANSFORMER AND ADDRESSING BOX FOR RGBW MODELS (4 units max) (320x280x153 mm)
AL3983 IP65 TRANSFORMER BOX FOR W MODELS (4 units max) (320x280x153 mm)



AL3984 IP20 TRANSFORMER AND ADDRESSING BOX FOR RGBW MODELS (4 units max) (304 x 243 x 94 mm)
AL3986 IP20 TRANSFORMER AND ADDRESSING BOX FOR W MODELS (4 units max) (304 x 243 x 94 mm)

CODES

AL5245 MAXI WATERLED

OPTICS

SP Spot
NA Narrow
ME Medium
WI Wide
EW Extra wide
EL Elliptical
WL Elliptical wide

LED TYPE

RN RGB+W 4000K
CW Cold White 6500K
NW Natural White 4000K
WW Warm White 3000K

TECHNICAL SPECIFICATIONS

MAXI WATERLED is an IP68 submerged use luminaire, whose AISI 316L stainless steel body hosts 48 high brightness RGBW, Cold White, Natural White, Warm White or, on request, monochrome power LEDs. Dimensions: Ø 294 mm x 98 mm x 303 mm. Available in DMX, automatic and Master/Slave mode, it also features RFU (Remote firmware update) function. Power supply: IP20 separate transformer 100÷277V / 50-60Hz, powering up to 4 units. IP65 separate transformer 100÷277V / 50-60Hz, powering up to 4 units. Main unit: 12V. Power consumption: 156W max (1 unit) at full intensity. Electrical Class III. It is supplied with 10m power supply and digital data cable, while different cable lengths are available on request. Operating temperature: -20°C to 35°C (-4°F to 95°F).

DIGITAL CONTROL SYSTEM SPECIFICATIONS AND CONFIGURATIONS AVAILABLE ON OUR WEBSITE





WATERLED MK2

WATER FEATURES LIGHTING

To be used in large to medium sized water features, **WATERLED MK2**, with its AISI 316L stainless steel housing, relies upon an IP68 protection rating and is the ideal choice for a huge variety of lighting installations even in chlorine water and marine environment. The extraordinary luminous efficiency of this fixture does not compromise environmentally friendly consumption rates.

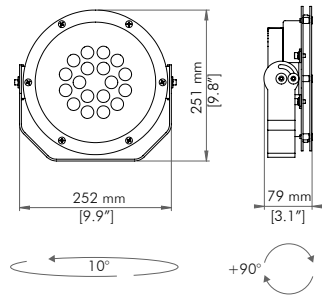


WATERLED MK2

GRIVEN 

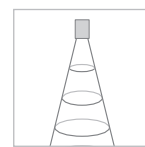
WATERLED MK2

GRIVEND 



BEAM ANGLE REFERENCE

| RGB | | WHITE LIGHT | |
|------------|---------|-------------|---------|
| SPOT | 6° | SPOT | 12° |
| NARROW | 11° | NARROW | 15° |
| MEDIUM | 19° | MEDIUM | 25° |
| WIDE | 44° | WIDE | 47° |
| ELLIPTICAL | 11°x40° | ELLIPTICAL | 20°x42° |



MAX OUTPUT
5461 lm
(SP CW configuration)

PHOTOMETRIC DETAILS AVAILABLE ON OUR WEBSITE

FEATURES AND OPTIONS



ACCESSORIES



AL3350 IP65 TRANSFORMER BOX FOR RGB MODELS
(4 units max) (303 x 260 x 102 mm)
AL3359 IP65 TRANSFORMER FOR W MODELS
(4 units max) (303 x 260 x 102 mm)



AL3368 IP20 TRANSFORMER AND ADDRESSING
BOX FOR RGB MODELS (4 units max)
AL3369 IP20 TRANSFORMER AND ADDRESSING
BOX FOR W MODELS (4 units max)

CODES

AL5246 WATERLED MK2

OPTICS

SP Spot
NA Narrow
ME Medium
WI Wide
EL Elliptical

LED TYPE

RG RGB
CW Cold White 6500K
NW Natural White 4000K
WW Warm White 3000K

TECHNICAL SPECIFICATIONS

WATERLED MK2 is an IP68 submerged use luminaire, whose AISI 316L stainless steel body, featuring an anodized aluminium heat dissipation element, hosts 18 high brightness RGB, Cold White, Natural White, Warm White or, on request, monochrome power LEDs. Dimensions: Ø 252 mm x 79 mm x 251 mm. Available in DMX, automatic and Master/Slave mode, it also features RFU (Remote firmware update) function. Power supply: separate transformer 100÷277V / 50-60Hz, powering up to 4 units. Main unit: 12V. Power consumption: 52W max (1 unit) at full intensity. Electrical Class III. It is supplied with 10m power supply and digital data cable, while different cable lengths are available on request. Operating temperature: -20°C to 35°C (-4°F to 95°F).

DIGITAL CONTROL SYSTEM SPECIFICATIONS AND CONFIGURATIONS AVAILABLE ON OUR WEBSITE





MINI WATERLED

WATER FEATURES LIGHTING

Small-size fountains and waterfalls, as well as reflecting pools, are the ideal applications for the compact marine-grade **MINI WATERLED**, whose heavy-duty AISI 316L stainless steel body hosts nine high power LEDs. The superior lumens life assisted by the on-board electronic thermal management exceeds the industry standards lifetime and the certified IP68 Class III rating defines the virtually maintenance free performance.

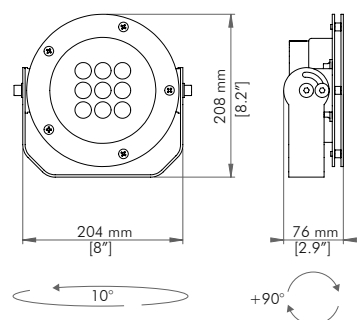


MINI WATERLED

GRIVEN

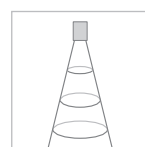
MINI WATERLED

GRIVEND 



BEAM ANGLE REFERENCE

| RGB | | WHITE LIGHT | |
|-----------------|---------|-----------------|---------|
| SPOT | 7° | SPOT | 12° |
| NARROW | 11° | NARROW | 15° |
| MEDIUM | 21° | MEDIUM | 25° |
| WIDE | 44° | WIDE | 47° |
| EXTRA WIDE | 68° | EXTRA WIDE | 61° |
| ELLIPTICAL | 10°x40° | ELLIPTICAL | 14°x39° |
| ELLIPTICAL WIDE | 21°x42° | ELLIPTICAL WIDE | 22°x37° |



MAX OUTPUT
1890 lm
(SP CW configuration)

PHOTOMETRIC DETAILS AVAILABLE ON OUR WEBSITE

FEATURES AND OPTIONS



ACCESSORIES



AL2428 IP65 TRANSFORMER BOX FOR RGB MODELS
(6 units max) (303x249x98 mm)



AL2449 IP65 TRANSFORMER BOX FOR W MODELS
(6 units max) (303x243x98 mm)

CODES

AL5247 MINI WATERLED

OPTICS

SP Spot
NA Narrow
ME Medium
WI Wide
EW Extra wide
EL Elliptical
WL Elliptical wide

LED TYPE

RG RGB
CW Cold White 6500K
NW Natural White 4000K
WW Warm White 3000K

TECHNICAL SPECIFICATIONS

MINI WATERLED is an IP68 compact submerged use luminaire, whose AISI 316L stainless steel body, featuring an anodized aluminium heat dissipation element, hosts 9 high brightness RGB, Cold White, Natural White, Warm White or, on request, monochrome power LEDs. Dimensions: Ø 204 mm x 76 mm x 208 mm. Available in DMX, automatic and Master/Slave mode, it also features RFU (Remote firmware update) function. Power supply: separate transformer 100÷277V / 50-60Hz, powering up to 6 units. Main unit: 12V. Power consumption: 18W max (1 unit) at full intensity. Electrical Class III. It is supplied with 10m power supply and digital data cable, while different cable lengths are available on request. Operating temperature: -20°C to 35°C (-4°F to 95°F).

DIGITAL CONTROL SYSTEM SPECIFICATIONS AND CONFIGURATIONS AVAILABLE ON OUR WEBSITE





ACCENT LIGHTING

These versatile luminaires are capable of enhancing with brilliant light and distinctive outcome the most different features of modern or antique architectural elements creating truly dramatic accent lighting effects. Colour changing or white light graphic shapers highlight inner frames or outer edges of windows, balconies or repeating architectural elements creating boundless accent lighting solutions.

Colour changing or white light wall mount diffusers deliver eye-catching accent and wall grazing effects with appealing decorative as well as functional performances.



EKLIPSE

ACCENT LIGHTING

Designed for specific applications on windowsills, **EKLIPSE** is an LED graphic light shaper, which highlights inner frames or outer edges of windows, balconies or repeating architectural elements, while designing appealing optical effects on buildings façades and creating boundless accent lighting solutions.

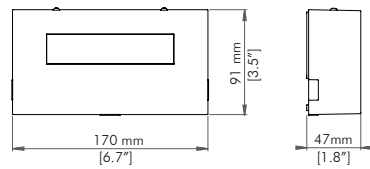


EKLIPSE

GRIVEND 

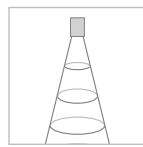
EKLIPSE

GRIVEND 



BEAM ANGLE REFERENCE

ELLIPTICAL 13°x127°
ELLIPTICAL WIDE 21°x50°



MAX OUTPUT
472 lm
(EL CW configuration)

PHOTOMETRIC DETAILS AVAILABLE ON OUR WEBSITE

FEATURES AND OPTIONS



ACCESSORIES



AL4421
ANTI-GLARE SHIELD



AL4405 01
ELECTRONIC DRIVER (with cables)



AL4424 01
START LINE BOX (with cables)



AL4425 01
REPOWER BOX (with cables)

CODES

AL4373 EKLIPSE

| OPTICS | LED TYPE | FINISH | OPTION |
|--------------------|------------------------|-----------------------|-------------------|
| EL Elliptical | RN RGB+W 4000K | W White RAL 9003 | S Self-addressing |
| WL Elliptical wide | DW From 2700K to 6500K | G GRIVEN Grey | R RDM |
| | CW Cold White 6500K | A Anthracite RAL 7016 | |
| | NW Natural White 4000K | B Black RAL 9005 | |
| | WW Warm White 3000K | | |

TECHNICAL SPECIFICATIONS

EKLIPSE is an IP66 ultra compact LED graphic light shaper, whose aluminium body hosts 4 high brightness RGBW, Dynamic White, Cold White, Natural White, Warm White or, on request, monochrome power LEDs. Dimensions: 170 mm x 47 mm x 91 mm. Available in DMX mode, it also features RDM (Remote device management) and RFU (Remote firmware update) functions, whereas the RDM function is not available when on self-addressing mode. Power supply: 48Vdc. Power consumption: 0.2A @ 230V / 10W max. Separate electronic driver powering up to 24 units (standard configuration). Electrical Class III. Operating temperature: -40°C to 50°C (-40°F to 122°F).

DIGITAL CONTROL SYSTEM SPECIFICATIONS AND CONFIGURATIONS AVAILABLE ON OUR WEBSITE





КАЗАНСКИЙ УНИВЕРСИТЕТ

P



P



P



P

P



P

P

ORPHEOS

ACCENT LIGHTING

ORPHEOS is a wall-mount diffuser whose single or double vertical light shaft provides elegant accent or wall grazing effects. Digitally controlled RGBW, white or, on request, monochrome LEDs configurations, combined with different optics choices, give maximum chromatic adaptability. The double light shaft version can feature independent LED and optics configurations combined with fully autonomous control of each LED cluster, enhancing absolute design flexibility. The integrated electronic driver guarantees comfortable set-up.

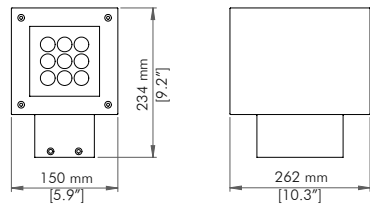


ORPHEOS

GRIVEND 

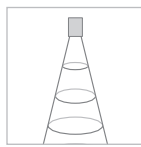
ORPHEO S

GRIVEND 



BEAM ANGLE REFERENCE

| | |
|--------|-----|
| SPOT | 7° |
| NARROW | 12° |
| MEDIUM | 21° |
| WIDE | 43° |



MAX OUTPUT
1300 lm
(SP CW configuration
/Single Emission)

PHOTOMETRIC DETAILS AVAILABLE ON OUR WEBSITE

FEATURES AND OPTIONS



ACCESSORIES



AL2660
WEEZERD 1

CODES

AL4860 ORPHEO S SINGLE EMISSION

AL4862 ORPHEO S DOUBLE EMISSION

| OPTICS | LED TYPE | FINISH |
|-----------|------------------------|-----------------------|
| SP Spot | RN RGB+W 4000K | W White RAL 9003 |
| NA Narrow | DW From 2700K to 6500K | G GRIVEN Grey |
| ME Medium | CW Cold White 6500K | A Anthracite RAL 7016 |
| WI Wide | NW Natural White 4000K | B Black RAL 9005 |
| | WW Warm White 3000K | |

NOTES

Unless an RDM control is used, ORPHEO S must always be purchased with one AL2660 WeeZerd 1 to set its DMX address

TECHNICAL SPECIFICATIONS

ORPHEO S is an IP66 wall mount diffuser, whose extruded and die-cast aluminium body hosts 12 or 24 high brightness RGBW, Dynamic White, Cold White, Natural White, Warm White or, on request, monochrome power LEDs. Dimensions: 150 mm x 262 mm x 234 mm. Available in DMX mode, it also features RFU (Remote firmware update) and RDM (Remote device management) functions. Unless an RDM control is used, ORPHEO S must always be purchased with one AL2660 WeeZerd 1 to set its DMX address. Power supply: 100÷277V / 50-60Hz. Power consumption: Single emission: 0.17A @ 230V / 18W max, Double emission: 0.33A @ 230V / 36W max. An Electrical Class I appliance, it also features self-resetting fuse protection. Operating temperature: -30°C to 50°C (-22°F to 122°F).

DIGITAL CONTROL SYSTEM SPECIFICATIONS AND CONFIGURATIONS AVAILABLE ON OUR WEBSITE





APPENDIX



PROTECTION DEGREE

Definition of Ingress Protection (in accordance with the European regulation standard EN 60 598-1)

IP20

The classification of the protection degree specifies the resistance against the ingress of solids and liquids.

IP20

The first digit indicates the protection against penetration by dust and solid objects.

IP20

The second digit indicates the protection against infiltration by moisture and liquids.

IP20

- 0 No protection
- 1 Protected against ingress from large solid bodies ≥ 50 mm in \varnothing
- 2 Protected against ingress of medium sized solid foreign bodies ≥ 12 mm in \varnothing
- 3 Protected against ingress of small solid foreign bodies thicker than ≥ 2.5 mm in \varnothing
- 4 Protected against ingress of small solid foreign bodies thicker than ≥ 1 mm in \varnothing
- 5 Protected against ingress of harmful amounts of dust
- 6 Complete protection against dust

IP20

- 0 No protection
- 1 Protected against drops of liquid that fall vertically
- 2 Protected against drops of liquid that fall with a maximum inclination of 15°
- 3 Protected against drops of liquid that fall with a maximum inclination of 60°
- 4 Protected against water sprays from any direction having no harmful effect
- 5 Protected against water jets from any direction
- 6 Protected against heavy downpours or powerful water jets
- 7 Protected against the effects of immersion in water
- 8 Protected against indefinite submersion



COLOUR RENDERING INDEX (CRI)

The colour rendering index (CRI) is a quantitative measure of the ability of a light source to reproduce the colours of various objects faithfully in comparison with an ideal or natural light source.

6300K Cold White - typical CRI: 70
3000K Warm White - typical CRI: 80

LEDs featuring a higher index (CRI>80, CRI>85 and CRI90) are available on request.

CLASSIFICATION AND HOMOLOGATION

Class I

Fixtures that offer insulation class I provide protection against electrical shock solely using the base insulation and the safe connection of all exposed conductive parts to an earth conductor.

Class II



Fixtures in which protection against electrical shock does not rely on basic insulation only, but in which additional safety precautions such as double insulation or reinforced insulation are provided, being there no provision for protective earthing or reliance upon installation conditions.

Class III



Fixtures in which protection against electrical shock relies on supply at Safety Extra Low Voltage (SELV) and in which voltages higher than those of SELV are not generated.



The CE mark is the European regulation governing all products that are introduced to the market. The products that appear in this catalogue are built in compliance with the European Standard EN 60 598-1 and the European Directives CE 89/336 and CE 92/31 for electromagnetic compatibility and CE 73/23 for low voltage.

RoHS

All the products contained in this catalogue comply with the directive on the restriction of the use of certain hazardous substances in electrical and electronic equipment 2002/95/EC, commonly referred to as the Restriction of Hazardous Substances directive (RoHS), and with the Waste Electrical and Electronic Equipment directive (WEEE) 2002/96/EC, which sets collection, recycling and recovery targets for electrical goods.



This marking means that the product is certified by CSA International, for both the U.S. and Canadian markets, to the applicable U.S. and Canadian standards.



PHOTOMETRIC DATA CALCULATION

LIGHTING DESIGN TABLES AND GRAPHICS

Lighting appliances are characterized for lighting engineering purposes by a series of tables and graphics that describe their characteristics from the point of view of their luminous emission.

INTERNATIONAL CLASSIFICATIONS

The classifications represent different ways of classifying luminaires according to their luminous emission.

The table shows 4 different classifications:

- CIE (Recommendation n.52)
- DIN 5040 (German Norm) (example A60)
- UTE C 71-121 (French Norm) (example 0.65A + 0.00T)
- NBN L 14-002 (Belgian Norm – method BZ) (example BZ2)

PHOTOMETRIC TABLE

The photometric table shows the values of luminous intensity in cd/klm measured around the luminaire. The luminaire is located at the centre of a sphere of a suitable diameter. Generally the luminous intensities are calculated with the inverse square distance formula at defined angular distances, which are not normally constant. Take a luminaire, for example with a fluorescent lamp, with downward dark light emission (there is no lateral emission), we can define the luminous area as the area from which the light emits and the luminous axis. The axis is obviously vertical, perpendicular to that area which passes through the meeting point (luminous centre) of the diagonals of the luminous area.

At this point, placing the photoelectric cell of an illuminance meter on the luminous axis at a given distance from the luminaire we can determine the first value corresponding to $\Gamma = 0^\circ$. Now take a half-plane coming from the luminous axis and directed transversally towards the luminaire lamps; we can call the half-plane C-0°. This half-plane constitutes the starting point of the other half-planes situated all around the luminous axis.

Moving the photoelectric cell along the C-0° half-plane with constant angular step, for example every 5°, in each position we obtain a new reading generally different from the previous ones, until arriving at $\Gamma = 90^\circ$ (the photoelectric is situated laterally to the luminaire) where a dark lite luminaire no longer emits light ($E = 0$ lux). The operation can be repeated along each of the infinite half-planes coming from the luminous axis: generally, however, it is usual to take into consideration the C-90°, C-180° half-planes or those with angular interdistances of 30° or 15°.

All the measured and converted values are summarized in a table (Photometric Table) according to the initial C-half-plane and relative Γ angle. The luminous intensities are calculated with laboratory readings by converting the values measured by the illuminance meter using the formula:

$$I = (E \times d^2) / F$$

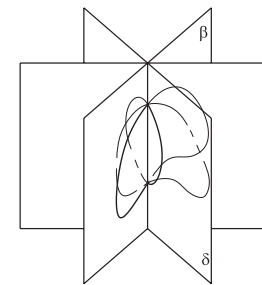
Where:

- I = luminous intensity (in cd/klm).
- d = distance luminaire-photoelectric cell; this distance must be greater than 5 times the maximum dimension of the luminous volume or area so that the luminaire can be considered a point source (Far Field method not to be confused with the Near Field method).
- F = total luminous flux of the lamps (in klm).

POLAR AND CARTESIAN DIAGRAMS

The photometric table data are graphically represented by means of different photometric curves according to the type of coordinates employed:

- photometric curves represented with polar coordinates;
- photometric curves represented with Cartesian coordinates.



The first are used to represent luminaires in interiors and road installations, while the second better represent the emissions from floodlights; this does not however mean that a luminaire cannot be represented in either way.

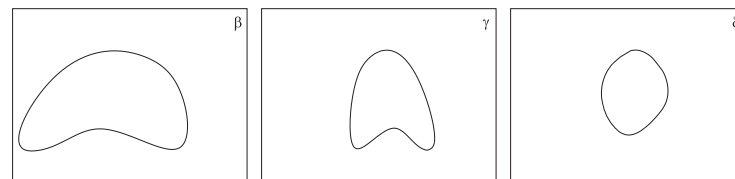
The Polar Diagram (or Polar Curve)

The Polar Diagram is obtained by selecting a half-plane from the photometric table (for example C-0°), marking in the corresponding values of intensity and angle on the polar plane and carefully joining the various points.

The polar curve can also be seen as the cross-section of the photometric solid through a plane that passes through the luminous axis of the luminaire.

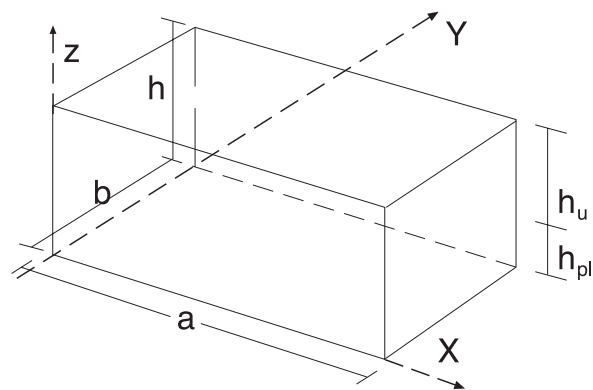
The Cartesian Diagram

If the intensity values according to the Γ angle are represented in terms of Cartesian coordinates (X-axis angles, ordinate intensity values) on a Cartesian plane and are carefully joined, the representation of the curve in Cartesian form is obtained (Cartesian Diagram).



UTILIZATION FACTOR TABLES FOR THE WORK PLANE

The utilization factor tables are useful for determining the number of luminaires of the same kind to be used within the room given an average illuminance value.



| K | 8873 | 7773 | 7753 | 7731 | 5551 | 5511 | 3311 | 0000 |
|-----|------|------|------|------|------|------|------|------|
| 0.6 | 0.45 | 0.42 | 0.34 | 0.28 | 0.31 | 0.24 | 0.23 | 0.21 |
| 0.8 | 0.53 | 0.49 | 0.41 | 0.34 | 0.37 | 0.29 | 0.28 | 0.26 |
| 1.0 | 0.59 | 0.55 | 0.47 | 0.40 | 0.41 | 0.34 | 0.33 | 0.30 |
| 1.3 | 0.65 | 0.61 | 0.53 | 0.45 | 0.46 | 0.39 | 0.38 | 0.35 |
| 1.5 | 0.69 | 0.65 | 0.58 | 0.49 | 0.50 | 0.43 | 0.41 | 0.38 |
| 2.0 | 0.76 | 0.71 | 0.65 | 0.55 | 0.55 | 0.49 | 0.47 | 0.43 |
| 2.5 | 0.80 | 0.75 | 0.69 | 0.59 | 0.58 | 0.53 | 0.51 | 0.46 |
| 3.0 | 0.83 | 0.78 | 0.73 | 0.62 | 0.61 | 0.56 | 0.53 | 0.49 |
| 4.0 | 0.85 | 0.80 | 0.76 | 0.65 | 0.63 | 0.59 | 0.55 | 0.50 |
| 5.0 | 0.88 | 0.83 | 0.79 | 0.67 | 0.65 | 0.61 | 0.58 | 0.52 |

ELEMENTS IN THE TABLE

- Reflectance factors (example 773): these are the reflectance factors of the ceiling, walls and work plane and are to be considered as percentages multiplied by 10 (example 70%, 70% and 30%).
- Room Index K (example 0.6): the room index is a factor that considers the dimensions of the room under examination.
- Utilization Factors (example 340): these factors consider the amount of flux emitted by the luminaires falling on the work plane. The factors are expressed in thousands (0.340).

USE OF THE TABLE

1. First of all, the reflectance value for ceiling, walls and work plane must be determined; in the case of walls with different reflectance factors, an average value should be calculated.

2. The room index corresponding to the room is calculated by means of the formula:

$$k = (a \times b) / (H_u \times (a + b))$$

where:

a and b are the length and width of the room;

H_u is the working height understood as being the distance between the work plane and the luminaire.

3. The utilization factor is determined as the intersection of the column corresponding to the chosen reflectance factors and the line of the calculated room index: where precise values are unavailable, an average will have to be calculated.

4. The average illuminance value desired is determined according to the type of activity to be carried out inside the room.

5. The number of luminaires required to obtain the desired value of illuminance is calculated with the formula:

$$N = (E \times A) / (F \times F_u)$$

where:

N = number of luminaires

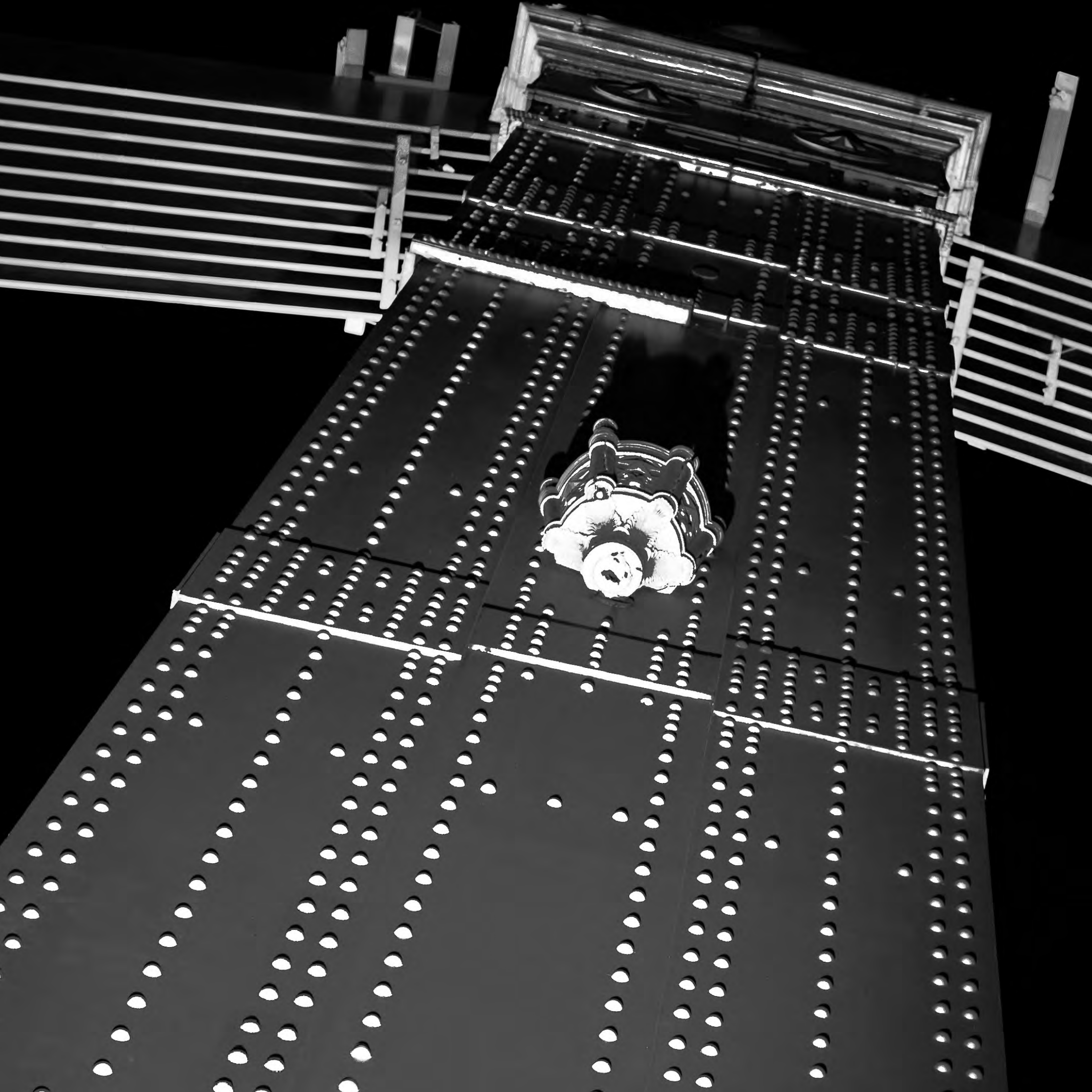
E = desired illuminance (in lx)

A = a x b = total area (in m²)

F = total flux of the individual luminaire (in lm)

F_u = utilization factor





ACKNOWLEDGEMENT

GRIVEN S.r.l. is grateful to the organisations and persons whose pictures are reproduced in this catalogue and would like to extend them the most genuine thankfulness.

Pages 2/3 - 70/71 - 88/91

Bogatyr Hotel Complex - Sochi - Russia
DSL Ltd.

Concept, design, supply and installation:
Svetoservis-Kuban, Krasnodar
Photo by: Ivan Vislov

Pages 4/5 - 158/159 - 160/163

Nguyen Van Linh Intersection Bridge - Hai Phong
Vietnam
Design and installation: PhuThanh JSC- Hanoi
Pictures: PhuThanh JSC- Hanoi

Pages 6/7 - 42/45

Adelaide Oval - Adelaide - Australia
ULA Group

Pages 8/9 - 100/101 - 106/109 - 182/185

The Pride of Muslims Mosque - Shali - Chechen
Republic, Russia
Lighting concept and engineering: DSL Ltd.
Supply and installation: Mechet-Stroy, Grozny

Pages 16/17 - 26/29

Palace of Culture and Science - Warsaw - Poland
Project by: PROLIGHT sp. z o.o.

Pages 18/21

Yeongkwang Great Bridge - Jeollanam-Do Province
South Korea
Project by: Youngkwang-Gun County
Photo by: Mr. Jong-Min, Kang/Photographer

Pages 22/25

Noor Tower - Ouarzazate - Morocco
Client: Masen
Project Management: Acwapower
Supplied and supervised by: LUMINOVA
Lighting design: OMBRAGES CANADA
Photo by: Alessandro Pederzani

Pages 30/33

Bolte Bridge - Melbourne - Australia
ULA Group

Pages 34/37

620 South Tryon - Charlotte, NC - USA
Photo by: Finn O'Brien

Pages 38/41

Torre Civica - Sabaudia - Italy
Concept: Prof. Vittorio Storaro - Arch. Francesca
Storaro
Lighting Design: Arch. Francesca Storaro
Contractor company: ELTEL Srl
Control system: Elettroservice Srl
Collaborators: Arch. Diego Traettino
Photo: Rino Malgrande

Pages 50/53

Cathedral of the Immaculate Conception
Cuenca - Ecuador
Planning and illumination design, and product
installation:
Fundación Iluminar Luz y Color para Cuenca

Pages 54/57

Huis ten Bosch Theme Park - Nagasaki - Japan
Planning, lighting concept, and product installation:
KOMADEN CORPORATION (JAPAN)
Import, distribution, and lighting design:
Lightcosmo CO., LTD.

Pages 58/61

Novosibirsk State University - Novosibirsk - Russia
DSL Ltd.
Concept, design, supply and installation:
Perspektiva Sveta, Novosibirsk

Pages 62/65

Via Giorgio Rizzardi - Marghera - Italy

Pages 66/69

thyssenkrupp tower - Rottweil - Germany
Hess GmbH Licht + Form
Architects: Dr. Werner Sobek with Helmut Jahn
Lighting concept: L-Plan Lighting Design, Berlin,
Germany
Photo by: Copyright thyssenkrupp Elevator

Pages 72/75

Cathedral of Our Lady - Antwerp - Belgium
Photo courtesy by: Benno Van den Bogaert

Pages 76/79

KICC Kentucky International Convention Center
Louisville, KY - USA
Photo by: Kevin Shuck - Image Detail Photography

Pages 80/83

Rock of Cashel - Tipperary - Ireland
Enlighten, part of the Fantasy Lights Group
Photo by: Con O' Donoghue

Pages 84/87

Sverdlovsk State Academic Philharmonic
Ekaterinburg - Russia
DSL Ltd.
Concept, design, supply and installation: MT Electro,
Ekaterinburg

Pages 92/95

Moscow City Hall - Moscow - Russia
DSL Ltd.
Concept, design, supply and installation:
Heliocity, Moscow

Pages 96/99

Sanctuary of Loyola - Azpeitia - Spain
Engineering and lighting: Gau-argi
Photo by: Aitor Rodriguez fotoangel.es

Pages 102/105 - 214/215

Lusail Marina Com 18 - Lusail Marina - Qatar
Main contractor: UrbaCon Trading & Contracting, UCC
Client: ASSETS REAL ESTATE
Project manager: JANO FOR LIGHTING - Eng. Ammar
Jano

Pages 114/115 - 116/119

The Citadel - Hue Imperial City - Vietnam
Design and installation: PhuThanh JSC- Hanoi

Pages 124/125 - 130/133

The Family Sculpture - Duleek - Co. Meath - Ireland
Enlighten, part of the Fantasy Lights Group
Primary contractor and Project Leader:
Paul Read, Al Read Electrical
Photo by: Con O' Donoghue

Pages 126/129

The Phoenix Column - Dublin - Ireland
Enlighten, part of the Fantasy Lights Group
Photo by: Con O' Donoghue

Pages 138/141

The Anthem - Washington DC - USA
Photo by: Finn O'Brien

Pages 142/145

Kilmainham Gaol & Courthouse - Dublin - Ireland
Enlighten, part of the Fantasy Lights Group
Photo by: Con O' Donoghue

Pages 146/149

General Chinese Consulate - Munich - Germany
Hess GmbH Licht + Form
Project partner: Obermeyer Planen + Bauen,
Munich - Germany
Landscape architect: Alexander Over, Munich
Germany
Photo by: Copyright Hess GmbH Licht + Form

Pages 150/153

Oil Fountain Monument - Surgut - Russia
DSL Ltd.
Lighting design and supply: Rezerv company, Tyumen

Pages 154/157

Festival Place - Basingstoke - UK
Wila Lighting Ltd
Lighting design: Hilson Moran
Installation: Ecolec Installations Ltd
Photo by: Duncan Abbott

Pages 164/167 - 172/175

Hoang Van Thu Bridge - Hai Phong - Vietnam
Design and installation: PhuThanh JSC- Hanoi
Pictures: PhuThanh JSC- Hanoi, Alessandro Pederzani

Pages 168/171

Bach Lam Bridge - Yen Bai - Vietnam
Design and installation: PhuThanh JSC - Hanoi
Pictures: PhuThanh JSC - Hanoi

Pages 186/189

Villa di Bagno - Porto Mantovano - Italy
Photo by: Doretta Gerevini

Pages 190/191 - 192/195

Almasa Royal Palace - New Capital - Egypt
H&A
Designer & Consultant: ECG Consultant
Client: Al Masah Hotels

Pages 196/199 - 203

Place de la Liberation - Dijon - France
Groupe Freevox
Installation: Lorrillard
Photo by: André Morin

Pages 204/205

Holiday Inn Ufa - Russia
DSL Ltd.
Concept, design, supply and installation:
MT Electro, Ekaterinburg
Photo by: MT Electro, Ekaterinburg

Pages 206/209

Riga 1st Hospital - Riga - Latvia
Lucidus SIA
Photo by: Kaspars Volonts

Pages 210/213

The Federal Treasury - Moscow - Russia
DSL
Lighting design, supply and engineering:
TESLI, Moscow

Page 220

Krimsky Bridge - Moscow - Russia
DSL Ltd.
LD and installation by: Svetoservis

DiaLUX plug-in, GRIVEN products link to LUMsearch data base, as well as a comprehensive integration of EULUMDAT and IESNA91 data files, configuration schemes, DMX profiles and additional technical details of all the products featured in this collection are available for further reference on our website at www.griven.com.

GRIVEN S.r.l. guarantees the good quality and manufacture of the products, and undertakes to repair or supply again, according to its opinion and within the shortest time possible, any part that shows - during the guarantee period - defects of construction, manufacture or material. The guarantee on all the AL listed items - except for all the recessed, underwater LED lighting products, LED image projectors, as well as all the control systems and accessories listed - is valid for 5 (five) years starting from invoice date. The guarantee is valid only if confirmed by an official invoice. This guarantee applies to all applicable products sold after July, 6th 2015. For all the above listed items not included in the 5-year warranty terms, a tailored guarantee extension is available, upon request, with extra charge and by signing a relevant contract after appropriate evaluation of detailed application conditions. Maximum extended guarantee period is a total of 5 years. The guarantee excludes all consumables. For further guarantee terms and conditions please refer to the official Griven S.r.l. Limited Warranty Policy/Release 01.03.2019 nr. 02GR010319 available on our website at www.griven.com.

GRIVEN S.r.l. is continuously developing and improving all its products. Pictures and computer generated illustrations available in this catalogue describe only general details and shall not form part of any contract. We reserve the right to change specifications without prior notification. GRIVEN S.r.l. shall be under no liability for any loss, damage or injury for direct or indirect dependence on the information contained in this catalogue.

Copyright © 2020 by GRIVEN S.r.l. All rights reserved.
All rights reserved. No part of this catalogue may be reproduced, stored in a retrieval system or transmitted in any form or by any means, electronic, mechanical, photocopying or otherwise, without the prior written permission of GRIVEN S.r.l.

Edition: March 2020

Printed in Italy
Graphics and layout design by: art&image
Photos by: Ottavio Tomasini
Printed by: Intese Grafiche S.r.l.

GRIVEN S.r.l. Via Bulgaria, 16 Castel Goffredo (Mn) 46042 Italy Tel. +39 0376 779483 www.griven.com